

Features

- With overflow.
- Modern design.

Material

- White ceramic bathroom sink.

Installation

- Wall mount installation.
- Drop in installation.

Configurations

- Two Hole.
- Six Hole (8-inch centers).

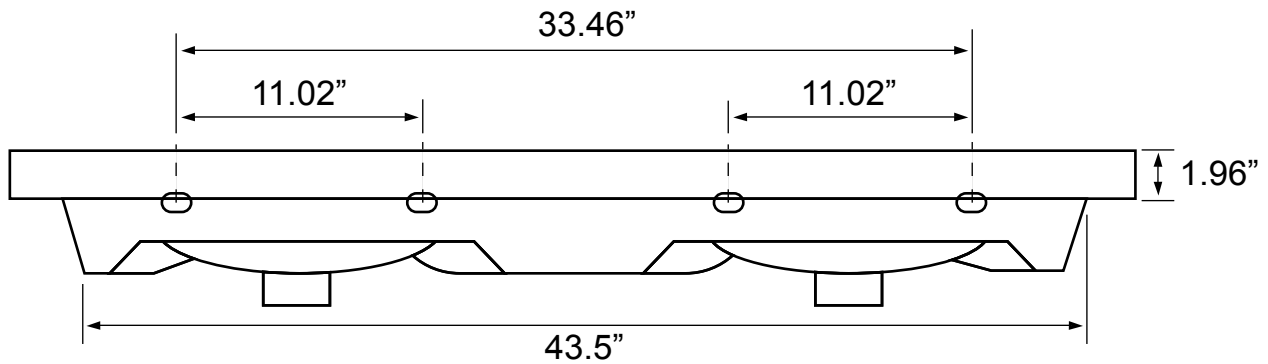
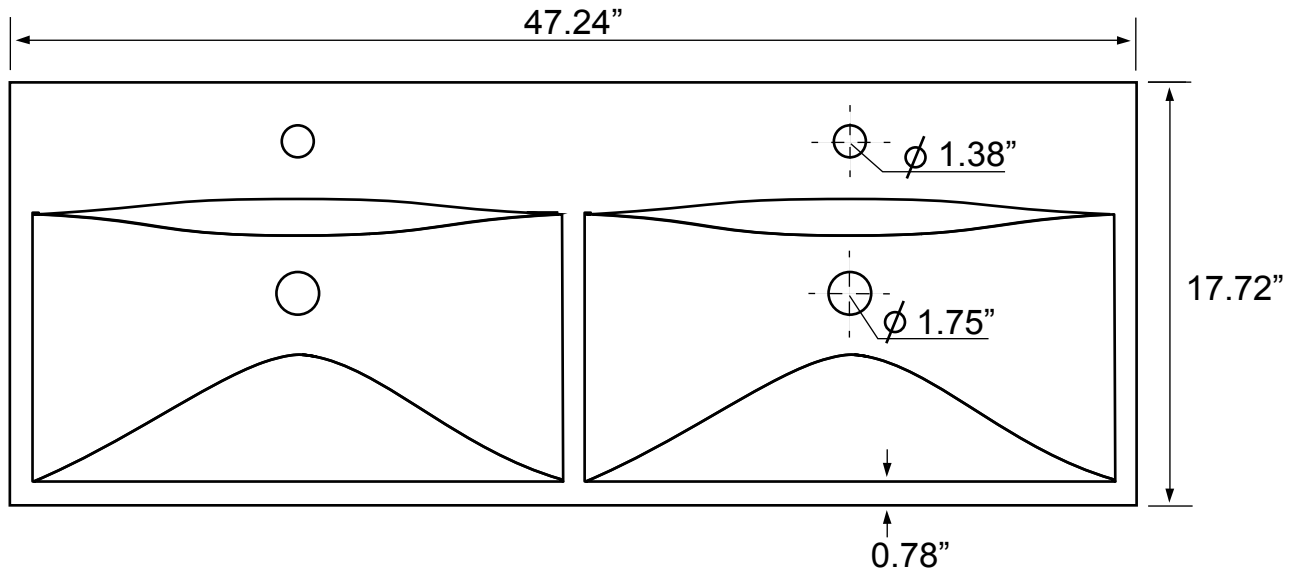


Certifications/Codes

IAPMO Certified
US Standards Approved
Uniform Plumbing Code (UPC/cUPC)
National Plumbing Code of Canada
ASME A112.19.2-2018/CSA B45.1-18

Nameek's One-Year Limited Warranty

See website for warranty information details.



Technical Information

Bowl type:	Double
Installation:	Wall mounted Drop In
Bowl dimensions:	Depth: 5.2"
Drain hole:	1.75"
Faucet hole:	1.38"
Hole configurations:	2,6
Weight:	60 lbs

Notes

Install this product according to the installation instructions.

Includes mounting hardware.