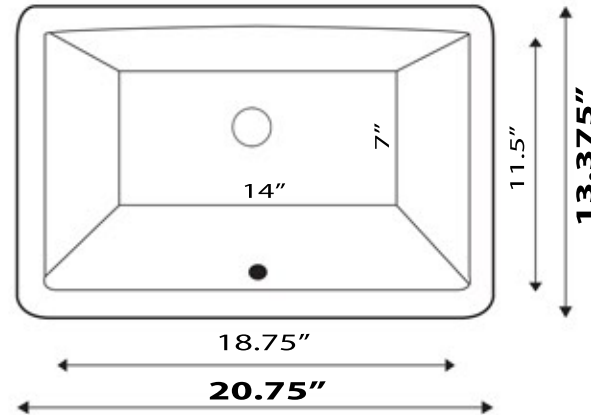


Great Point Collection
Vitreous China Bath Undermount Sinks



MODEL:
UM-19x11-W / UM-19x11-B



QAI LABS
ASME
12.19.2-2013

| Exterior Dimensions | Interior Bowl | Interior Depth | Exterior Height | Drain Size |
|-------------------------|---------------------------|----------------|-----------------|--------------|
| 20.75" x 13.375" | 18.75" x 11.5" top | 5.75" | 7.25" | 1.75" |

FEATURES

- Nominal Dimensions - actual may vary by 1/4"
- Template not included - custom template required
- Vitreous China undermount with porcelain enamel glaze
- Limited Lifetime Manufacturers Warranty
- With Overflow
- Drain is not included with sink
- Drain opening is 1.75" standard US vanity size



PROJECT/ NAME:

ARCHITECT/CONTRACTOR:

MODEL:

JOB NOTES: