

NEWPORT BATH

Body Spray 2173

Features

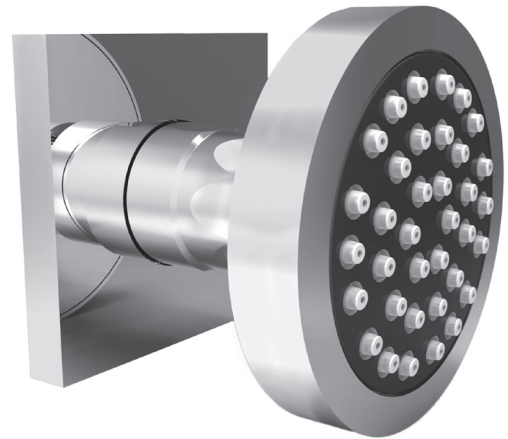
- Solid brass construction
- Contemporary styling
- Single function spray
- Rubber nozzles facilitate easy cleaning
- Ball and socket design having a range of 60 degrees
- 1/2" NPSM inlet fitting
- 2.50" (6.4 cm)
- Body Spray diameter
- 1.8 GPM (6.8 LPM) Max



Codes / Standards Compliance

Meets or exceeds the following at date of manufacture:

- ASME A112.18.1/CSA B125.1-18
- IAMPO/cUPC
- IPC
- Energy Policy Act of 1992
- California Energy Commission
- ASME A112.18.3 (Back Flow)
- All applicable US Federal and State material regulations



Colors / Finishes

- 10B: Oil Rubbed Bronze
- 15: Polished Nickel
- 15S: Satin Nickel - PVD
- 26: Polished Chrome
- Other: Refer to the Newport Brass catalog for additional color/finish options.

Specified Model

Model	Description	Colors Finishes
2173	Body Spray	<input type="checkbox"/> 10B <input type="checkbox"/> 15 <input type="checkbox"/> 15S <input type="checkbox"/> 26 <input type="checkbox"/> Other

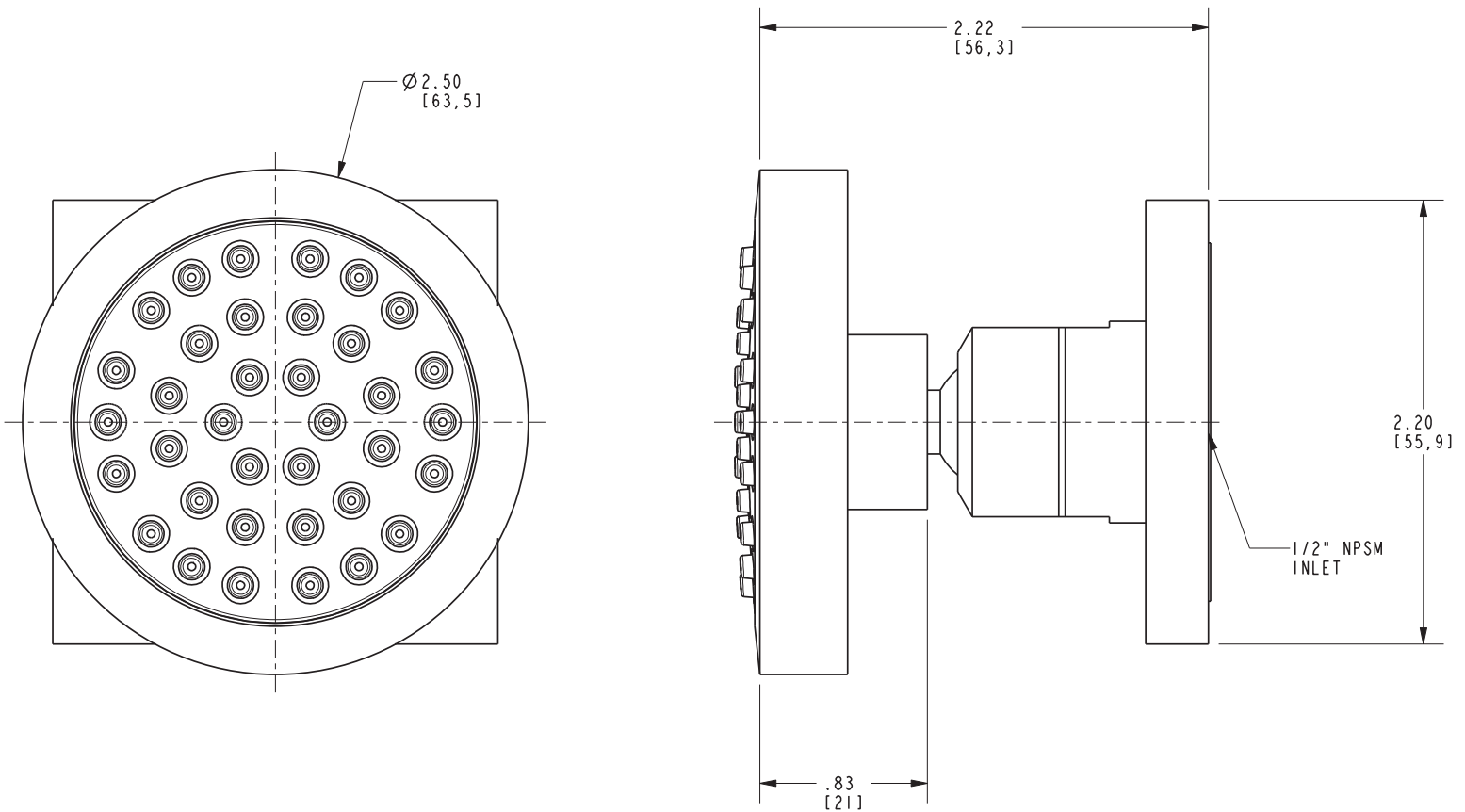
Product Specification Add "Color / Finish" suffix to Model number, below.

The Body Spray shall be of solid brass construction. Body Spray shall have a single function spray pattern incorporating rubber nozzles to facilitate easy cleaning. Body spray shall have a 1/2" NPSM inlet fitting and 2.50" (6.4 cm) diameter while operating at 1.8 gallons (6.7 liters) per minute maximum flow rate. Body Spray shall be Newport Brass Model 2173/____.

2173

PRODUCT DIMENSIONS *(Units are in inches)*

Product Dimensions are provided for reference only. For specific product installation guidelines, please reference the Installation Instructions of the product being installed.



Newport Bath Body Spray
2173

Page 2 of 2 Spec_2173_c_1.21
EN-4300d

NEWPORT BRASS
Flawless Beauty. From Faucet to Finish.™

t: 949.417.5207 | www.newportbrass.com
©2021 Brasstech, Inc.