

**Features**

- Solid brass construction
- Euro-motion ceramic disc 35 mm valve cartridge
- Swivel spout assembly with side-mounted ADA compliant lever handle
- Cartridge stem adapter ensures secure handle-to-stem interface
- Two-function, push-button control, nested spray engine
- Magnetic docking system secures spray engine to spout
- Pivoting-ball spray engine inlet fitting for enhanced directional control
- 7-3/4" (19.7 cm) spout height at outlet
- 6-1/2" (16.5 cm) spout reach (c-c)
- For single hole configurations
- 1.8 gallons (6.8 liters) per minute maximum flow rate

**Pull-Down Prep Sink/Bar Faucet**  
**3180-5223**



**Codes / Standards Compliance**

Meets or exceeds the following at date of manufacture:

- ASME A112.18.1/CSA B125.1
- IAPMO/cUPC
- NSF 61
- ADA
- ICC/ANSI A117.1
- Energy Policy Act of 1992
- All applicable US Federal and State material regulations

**Colors / Finishes**

- 10B: Oil Rubbed Bronze
- 15: Polished Nickel
- 15S: Satin Nickel - PVD
- 26: Polished Chrome
- Other: Refer to the Newport Brass catalog for additional color/finish options.



**Specified Model**

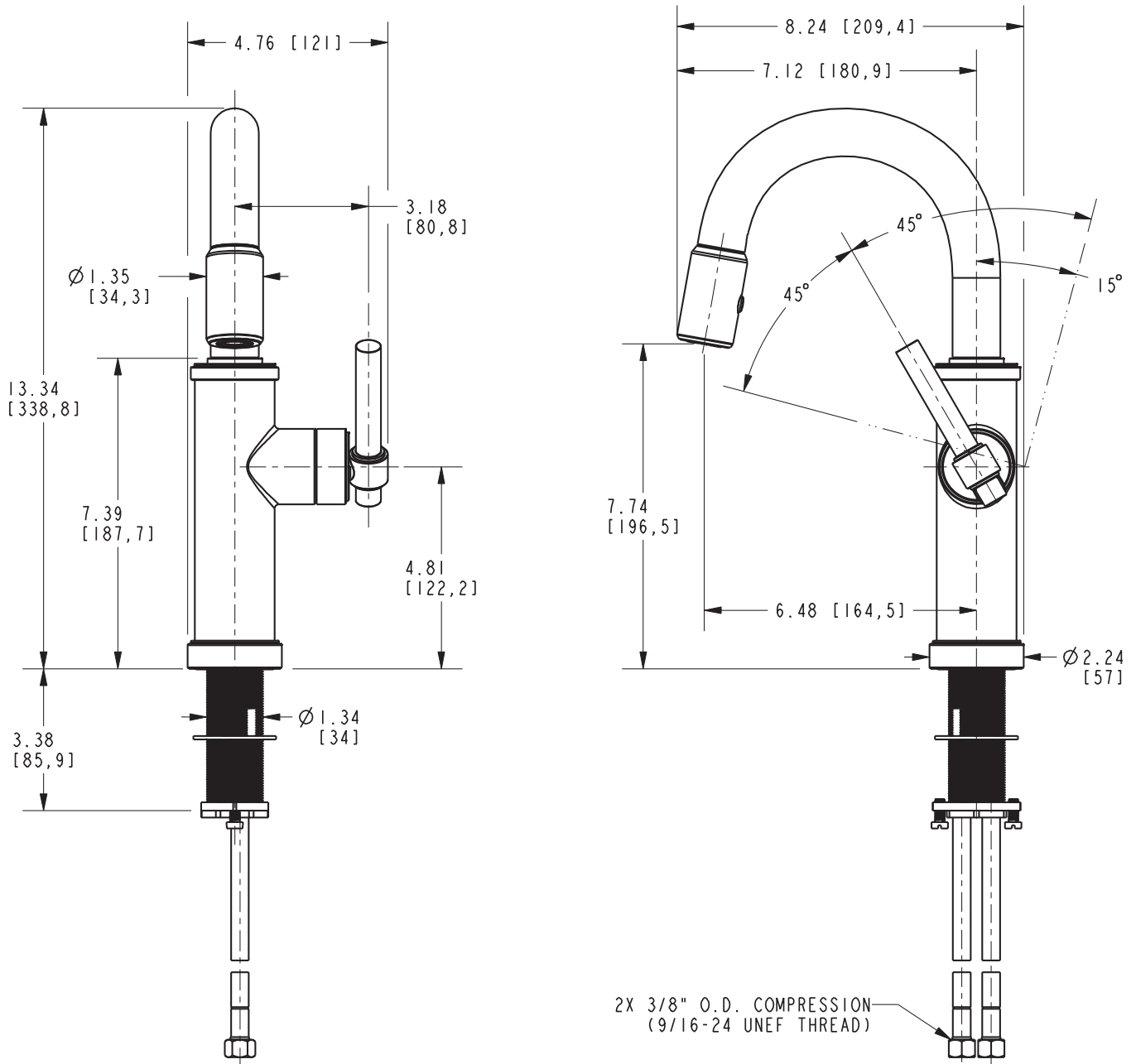
Model	Description	Colors   Finishes
3180-5223	Pull-down Prep Sink / Bar Faucet	<input type="checkbox"/> 10B <input type="checkbox"/> 15 <input type="checkbox"/> 15S <input type="checkbox"/> 26 <input type="checkbox"/> Other

**Product Specification** Add "Color / Finish" suffix to Model number, below.

The Pull-down Kitchen Faucet shall be made of solid brass construction and incorporate a Euro-motion ceramic disc 35 mm valve cartridge. Faucet shall incorporate a swivel spout assembly with side-mounted ADA compliant lever handle. Lever handle shall feature a cartridge stem adapter for secure handle-to-stem interface. Faucet shall incorporate a two-function, push-button control, nested spray engine with solid brass housing securing the spray engine to the spout. Faucet shall feature a pivoting-ball inlet connection to the spray engine for enhanced directional spray control. Product shall incorporate a 7-3/4" (19.7 cm) spout height at outlet and a 6-1/2" (16.5 cm) spout reach (c-c). Faucet shall have a 1.8 gallons (6.8 liters) per minute maximum flow rate and accommodate single hole configurations. Pull-down Kitchen Faucet shall be Newport Brass Model 3180-5223/\_\_\_\_\_.

# 3180-5223

## PRODUCT DIMENSIONS *(Units are in inches)*



### Seager Pull-Down Prep Sink/Bar Faucet 3180-5223