

Features

- Solid brass construction
- Temperature-adjust handle for thermostatic valve
- ADA compliant contemporary lever handle assembly for control valve
- Intended for use with Newport Brass rough valve(s) as specified (Required Accessory)

Thermostatic Shower System Trim
3-2484TR

Also 2-260, 3-608

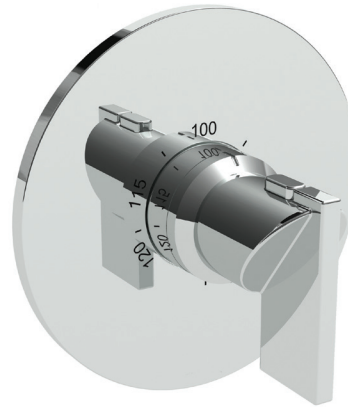
Codes / Standards Compliance

Meets or exceeds the following at date of manufacture:

- ASME A112.18.1/CSA B125.1
- IAPMO/cUPC
- IPC
- ADA
- ICC/ANSI A117.1
- ASSE 1016
- All applicable US Federal and State material regulations

Colors / Finishes

- 10B: Oil Rubbed Bronze
- 15: Polished Nickel
- 15S: Satin Nickel - PVD
- 26: Polished Chrome
- Other: Refer to the Newport Brass catalog for additional color/finish options.



3-608



2-260

Specified Model

Model	Description	Colors Finishes				
3-2484TR	Thermostatic Shower System Trim	<input type="checkbox"/> 10B	<input type="checkbox"/> 15	<input type="checkbox"/> 15S	<input type="checkbox"/> 26	<input type="checkbox"/> Other
2-260	Optional Extension for Thermostatic Shower System Valve Trim	<input type="checkbox"/> 10B	<input type="checkbox"/> 15	<input type="checkbox"/> 15S	<input type="checkbox"/> 26	<input type="checkbox"/> Other
3-608	Shower System Control Valve Trim (Escutcheon/Handle)	<input type="checkbox"/> 10B	<input type="checkbox"/> 15	<input type="checkbox"/> 15S	<input type="checkbox"/> 26	<input type="checkbox"/> Other

Required Accessory:

Application	Shower System Valve		Shower System Control Valves			
	Thermostatic	Flow Control (CCW Off)	Flow Control (CW Off)	Flow Control (CW Off)	Flow Control (CW Off)	Flow Control (CW Off)
Description	Thermostatic	Flow Control (CCW Off)	Flow Control (CW Off)	Flow Control (CW Off)	Flow Control (CW Off)	Flow Control (CW Off)
Inlet/Outlet Size	3/4"	1/2"	3/4"	1/2"	3/4"	3/4" (20pt spline)
Part Number	<input type="checkbox"/> 1-540	<input type="checkbox"/> NA	<input type="checkbox"/> NA	<input type="checkbox"/> NA	<input type="checkbox"/> NA	<input type="checkbox"/> 1-563
Image						

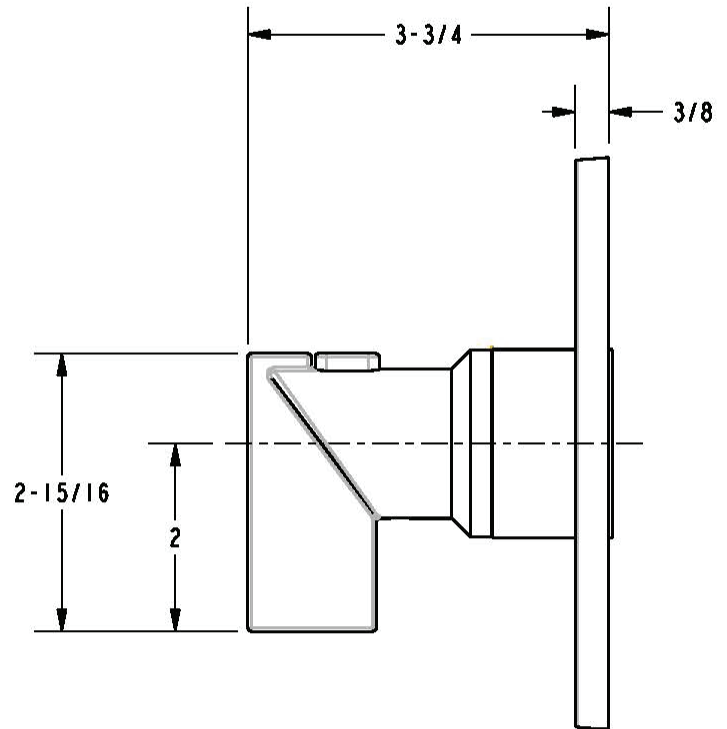
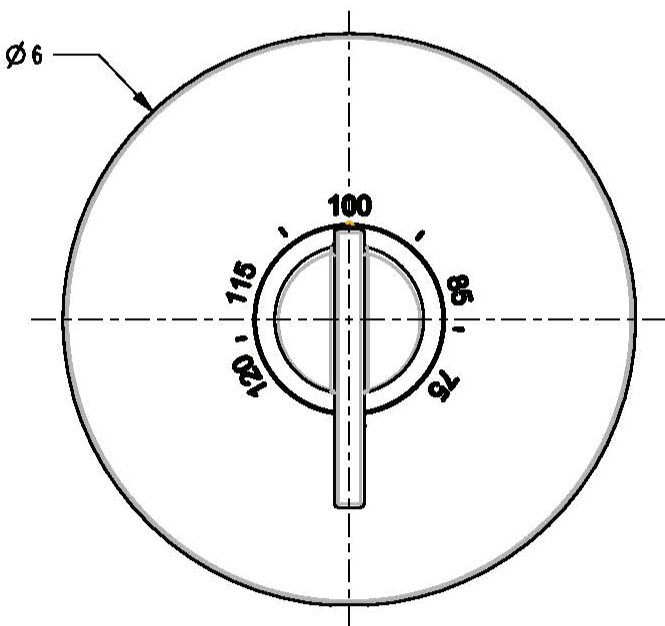
Note: The use of one 1-563 flow control valve and one 1-618 diverter valve can be configured to meet the requirements of CALGreen Building Code (2010).

Product Specification Add "Color / Finish" suffix to Model number, below.

The Thermostatic Shower System Trim shall be made of solid brass construction. Thermostatic Shower System Trim shall include a faceplate and temperature-adjust handle. Shower System Control Valve Trim(s) (Escutcheon/Handle) shall be ADA compliant when used with specified Shower System Control Valve(s). Thermostatic Shower System Trim shall be Newport Brass Model 3-2484TR/____ and Thermostatic Shower System Valve shall be Newport Brass Model 1-540. Shower System Control Valve Trim (Handle/Escutcheon) shall be 3-608/____ and Shower System Control Valve shall be 1-563.

3-2484TR

PRODUCT DIMENSIONS (Units are in inches)



Keaton Thermostatic Shower System Trim
3-2484TR