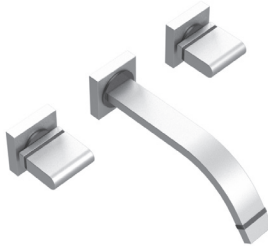


ASSEMBLY INSTRUCTION**1GRTL or Q**

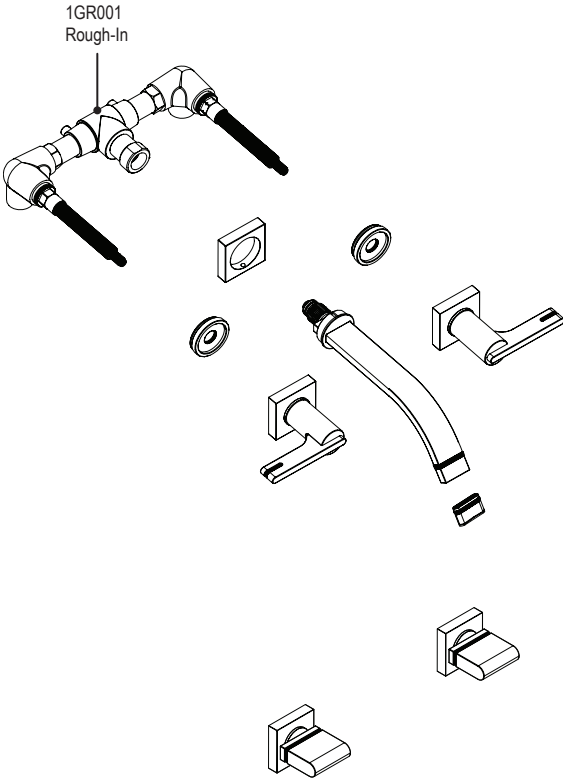
WALL MOUNT LAVATORY SET

**1GRTL****1GRTQ****REMOVAL OF FAUCET:**

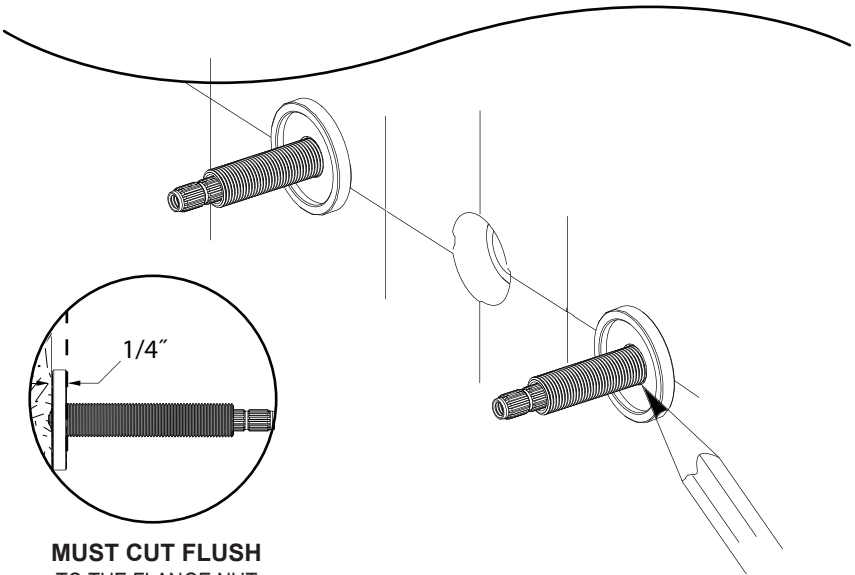
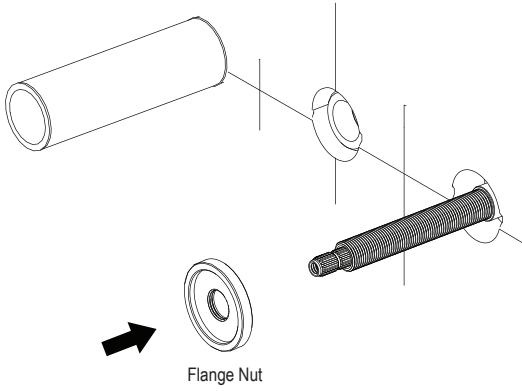
Always turn the water supply off before removing the existing faucet or disassembling a valve. Open both faucet handles to relieve water pressure and to ensure that the water has been successfully turned off.

CARE OF FAUCET:

The use of warm water and a soft cloth is all that is required to clean Rubinet products. The patina of our living finishes (Oil Rubbed Bronze & Tuscan Brass) will change as a result of normal use. Applying Mineral Oil on occasion will create a softer look, subtle color changes and character.

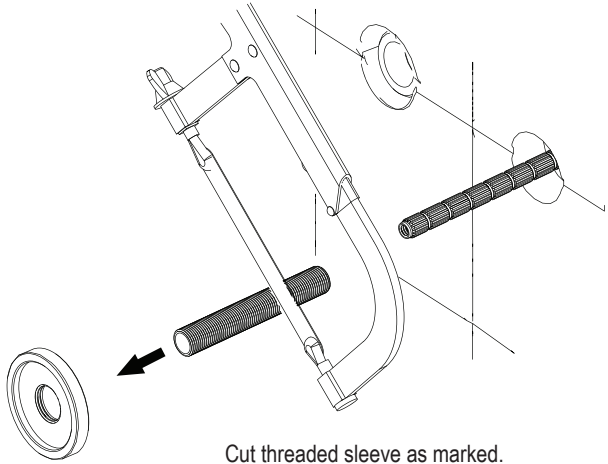


1

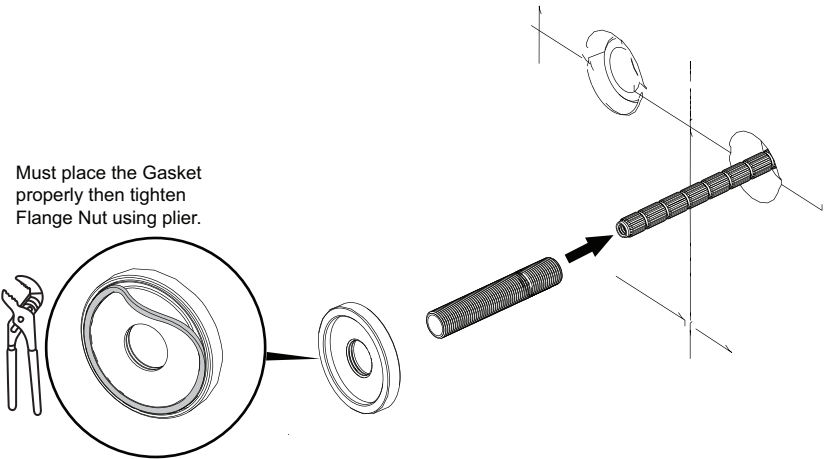


**MUST CUT FLUSH
TO THE FLANGE NUT**
* 1/4" (6 mm)
from the finished wall

2



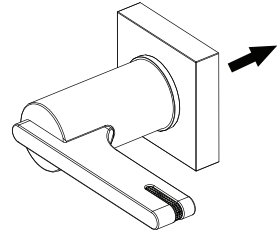
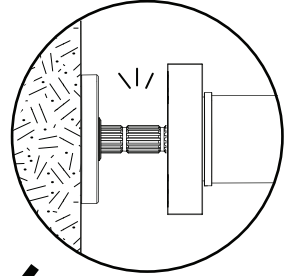
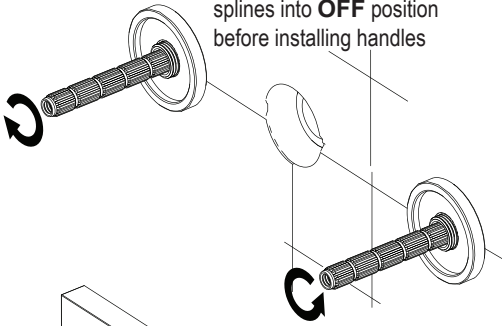
Must place the Gasket properly then tighten Flange Nut using plier.



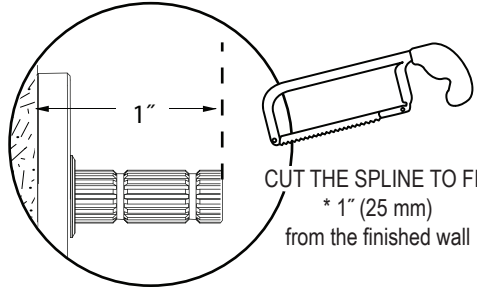
3

Turn each cartridge splines into **OFF** position before installing handles

IF THE HANDLE DOES NOT FIT

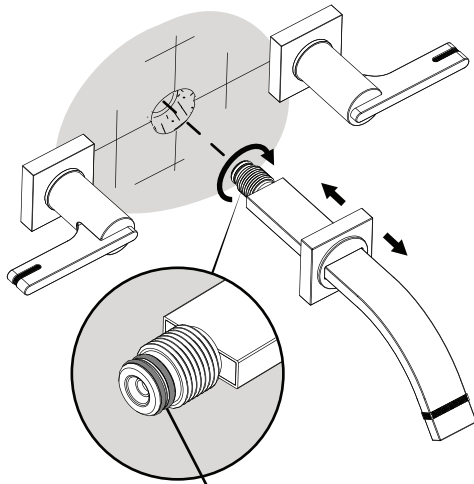
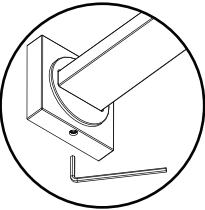
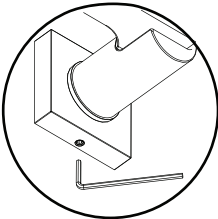


Place handle on the spline.



CUT THE SPLINE TO FIT
* 1" (25 mm)
from the finished wall

Secure flanges



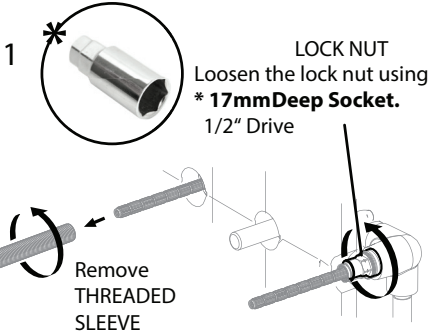
O-Rings

* **IF THE HANDLES DO NOT ALIGN AS REQUIRED** you can adjust them.
Please refer to the 'Handle Alignment' instruction at the back.

4

HANDLE ALIGNMENT (1G)

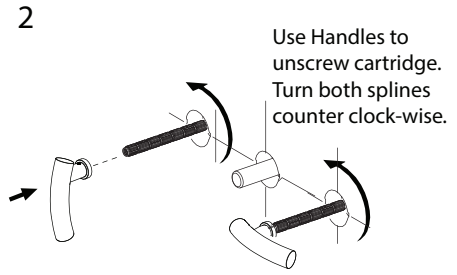
1



*** LOCK NUT**
Loosen the lock nut using
*** 17mm Deep Socket.**
1/2" Drive

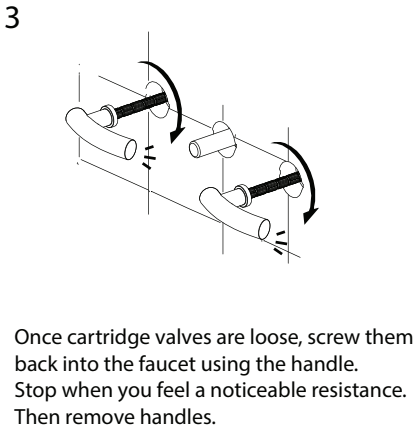
Remove
THREADED
SLEEVE

2



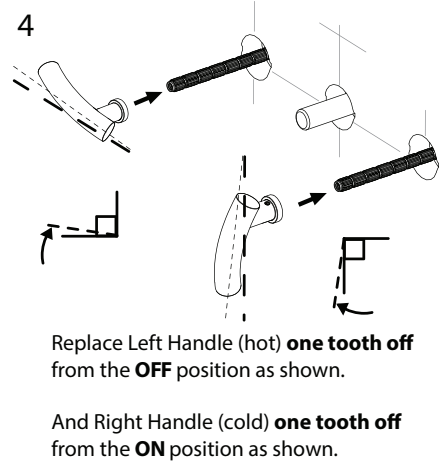
Use Handles to
unscrew cartridge.
Turn both splines
counter clock-wise.

3



Once cartridge valves are loose, screw them
back into the faucet using the handle.
Stop when you feel a noticeable resistance.
Then remove handles.

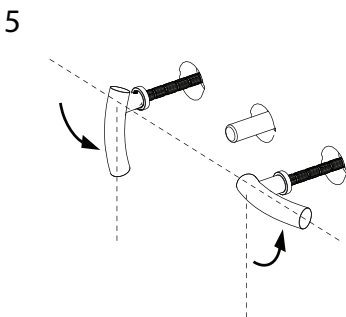
4



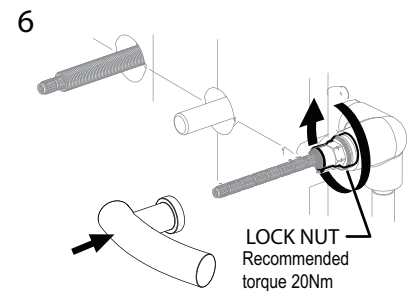
Replace Left Handle (hot) **one tooth off**
from the **OFF** position as shown.

And Right Handle (cold) **one tooth off**
from the **ON** position as shown.

5



6

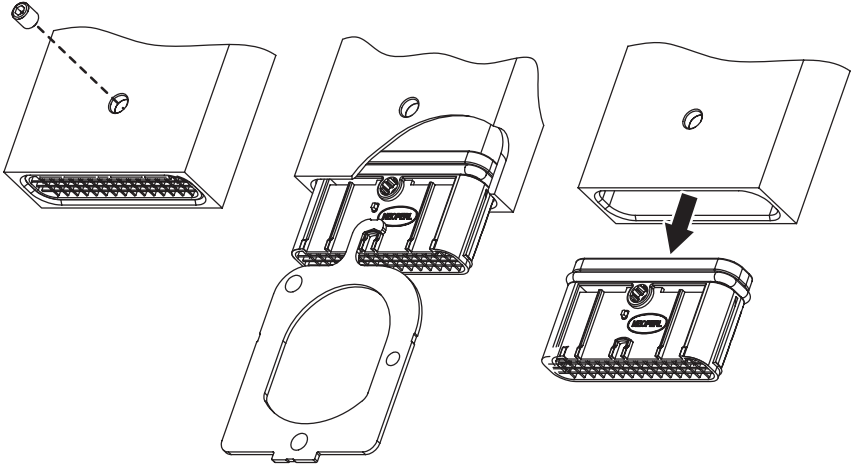


LOCK NUT
Recommended
torque 20Nm

5

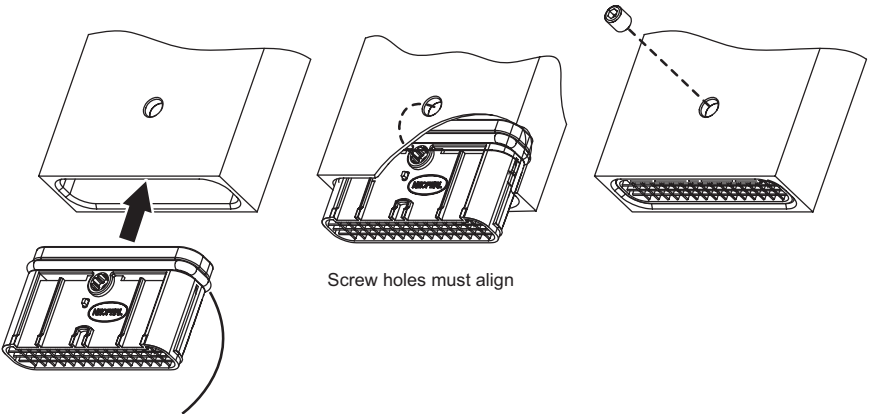
AERATOR REMOVAL

(Use 1.5mm Allen Key Supplied)



(Disassembling Key)

AERATOR REASSEMBLY

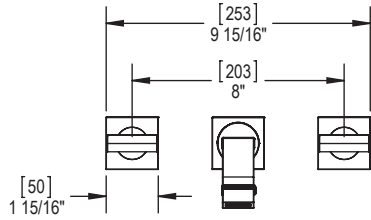
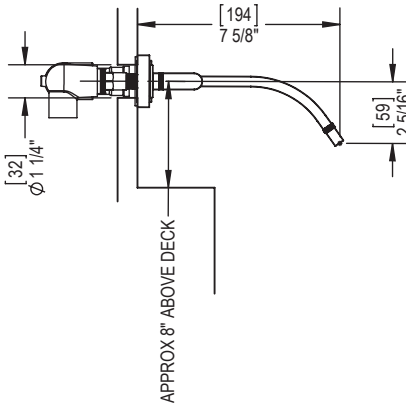
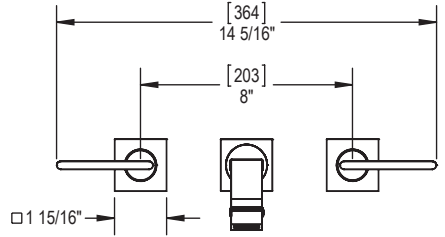
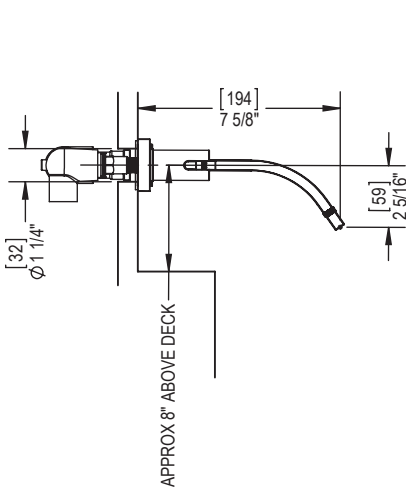


Screw holes must align

Note:
For easy installation,
use soapy water on seal ring
DO NOT USE GREASE

FEATURES:

- Brass construction with choice of 21 finishes
- Two Lever or Square Handles
- Quarter Turn, ceramic disc cartridges
- 1.5 gpm @ 60 psi



CONTACT US:

If you need assistance with installation, replacement parts or have any questions regarding your Rubinet product, please call a Customer Service representative at: 905-851-6781 toll free 1-800-461-5901 or visit www.rubinet.com