

Vector® Tub Spout

FEATURES:

- Tub Spout reach: 8.6"
- Tub Spout Height: 8.2"
- Metal construction
- 1/2" NPT (female) water inlet
- Supply pipe (not included) to protrude 3/8"-1/2" from the finished wall surface
- Flow rate of 7.0 gpm (26.5 L/min) at 45 psi
- Corrosion resistant finish(es)

STOCK FINISHES:



PC MB

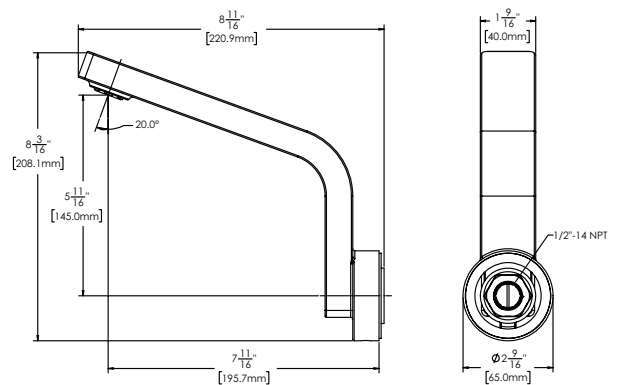
STANDARDS:

- ASME A112.18.1/CSA B125.1 certified

WARRANTY:

Visit www.speakman.com for full product warranty information

- Limited Lifetime Warranty (consumer)
- 5 Year Limited Warranty (commercial)



1. All dimensions are in inches (millimeters) unless otherwise specified and are subject to change without notice. 2. Contractor to supply necessary inlet connections.

Architect/Engineer Approval Space:

P: 800-537-2107

F: 800-977-2747

W: WWW.SPEAKMAN.COM

R: 01-MARCH 2020