

## Vector® Shower Arm and Flange

### FEATURES:

- Brass arm and stainless steel flange construction
- 1/2" -14 NPT connections
- Corrosion resistant finishes
- Wall-mounted installation
- Coordinates with Vector Collection

### STOCK FINISHES:



PC MB

### SPECIALTY FINISHES:

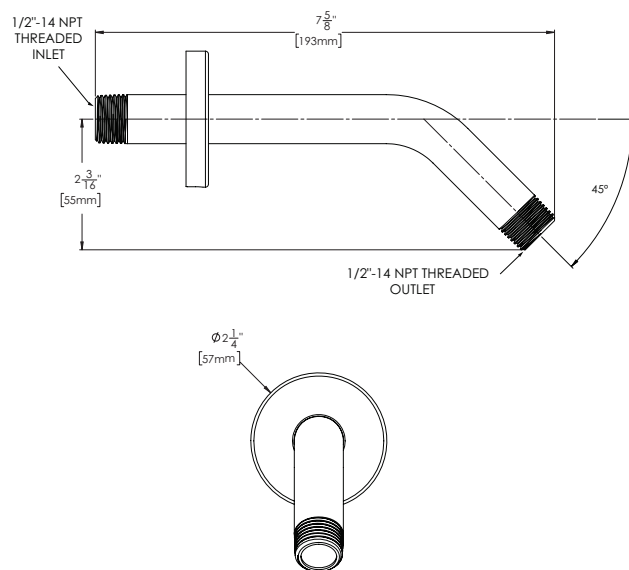
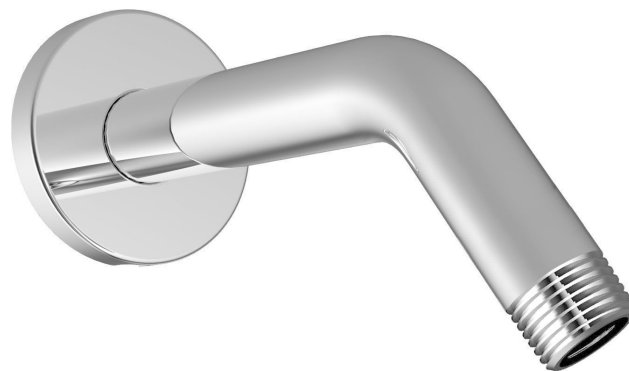


PB PN

### WARRANTY:

Visit [www.speakman.com](http://www.speakman.com) for full product warranty information

- 1 Year Limited Warranty (commercial)
- Limited Lifetime Warranty (residential)



1. All dimensions are in inches (millimeters) unless otherwise specified and are subject to change without notice.

Architect/Engineer Approval Space:

P: 800-537-2107  
 F: 800-977-2747  
 W: WWW.SPEAKMAN.COM  
 R: 03-JANUARY 2020