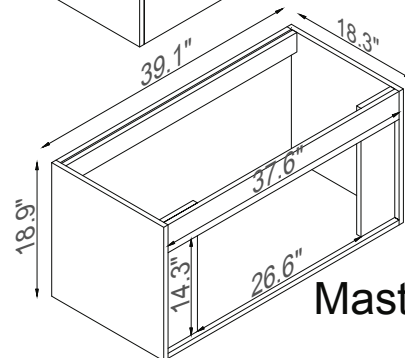
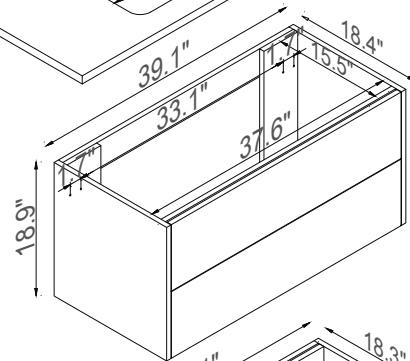
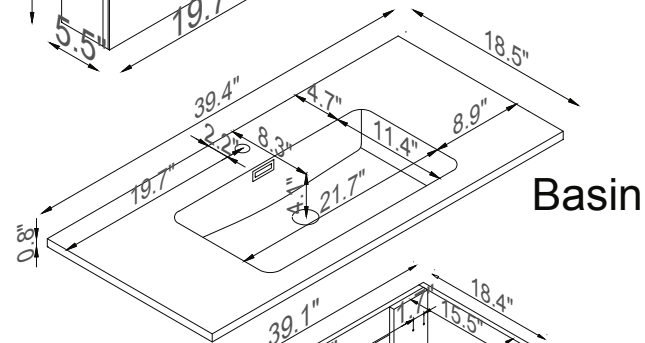
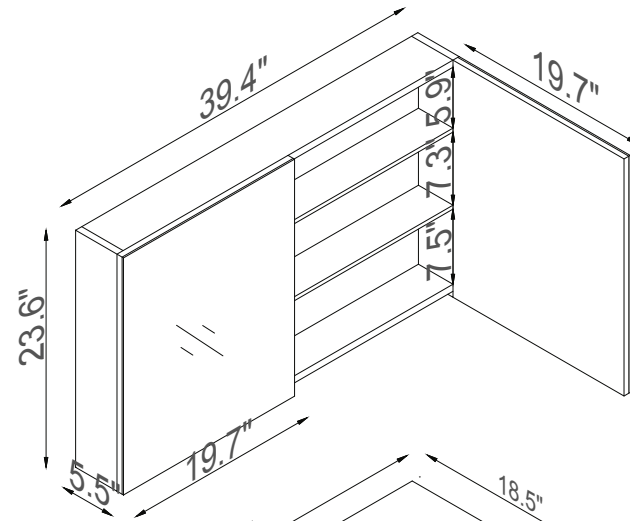




Streamline



K1500-161-40-51MR