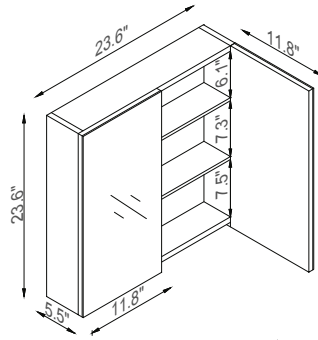
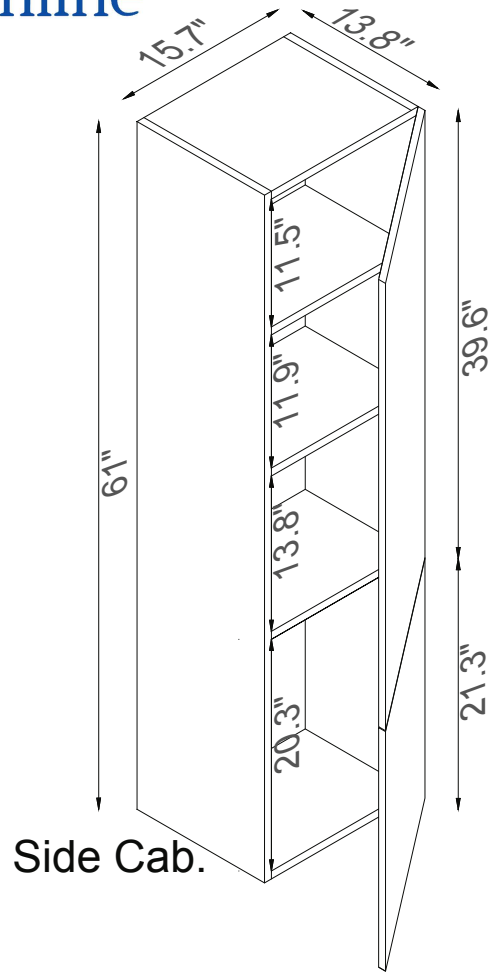
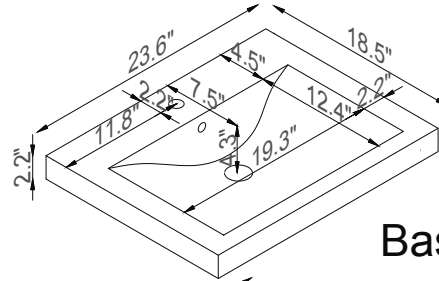




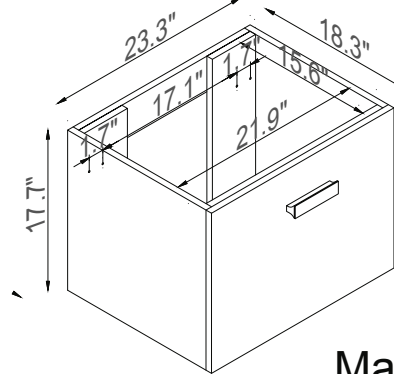
Streamline



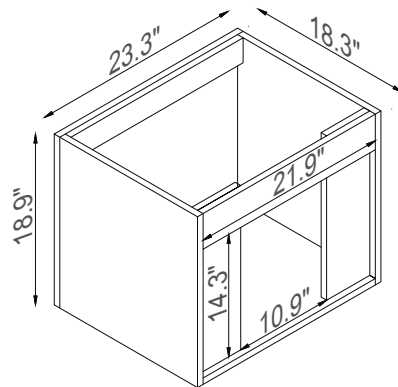
Med. Cab.



Basin



Master Cabinet



K1801-098-24-51MR1S