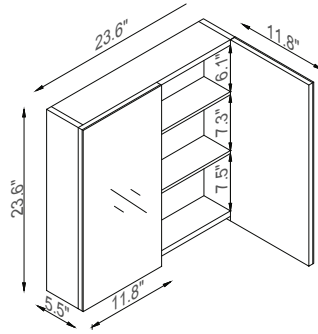
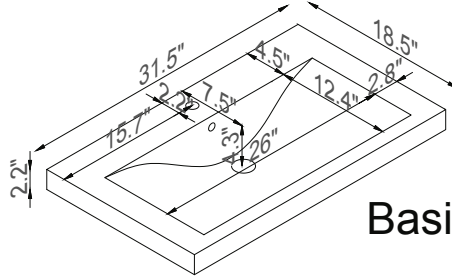




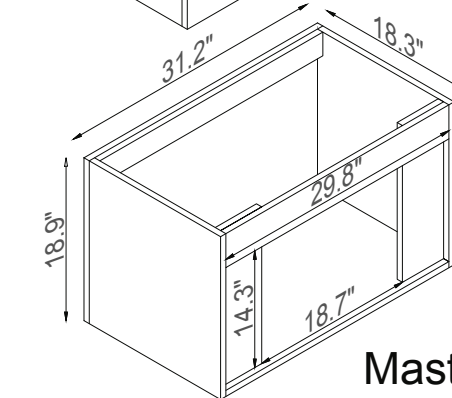
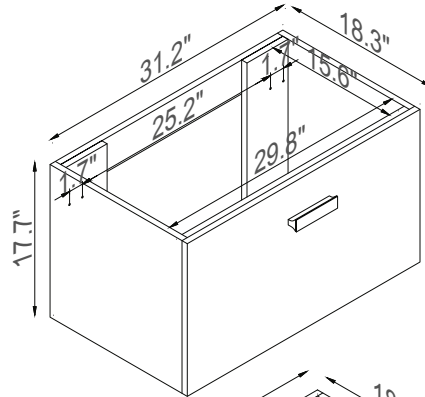
Streamline



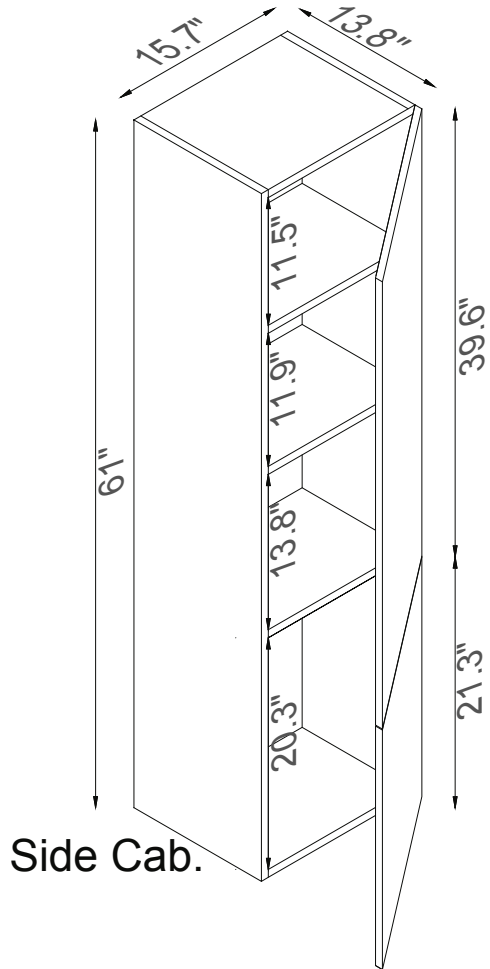
Med. Cab.



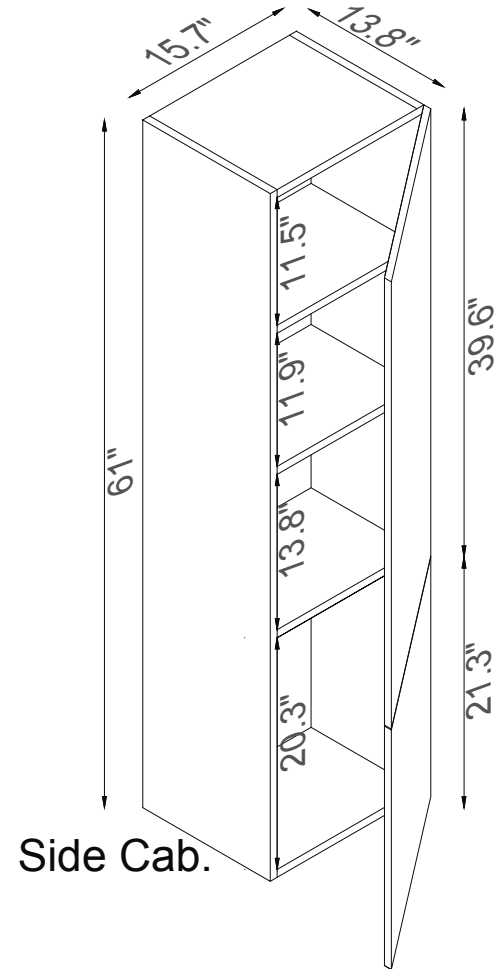
Basin



Master Cabinet



Side Cab.



Side Cab.

K1801-098-32-51MR2S