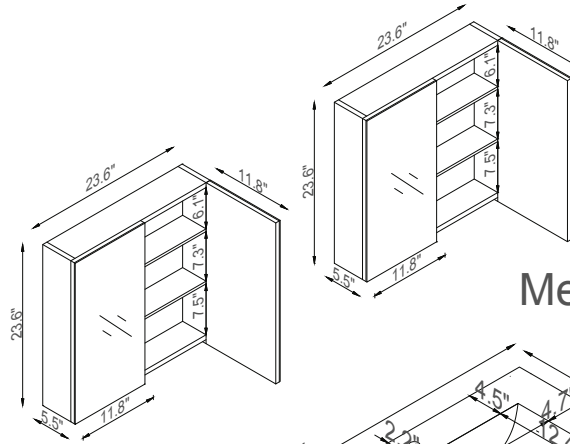
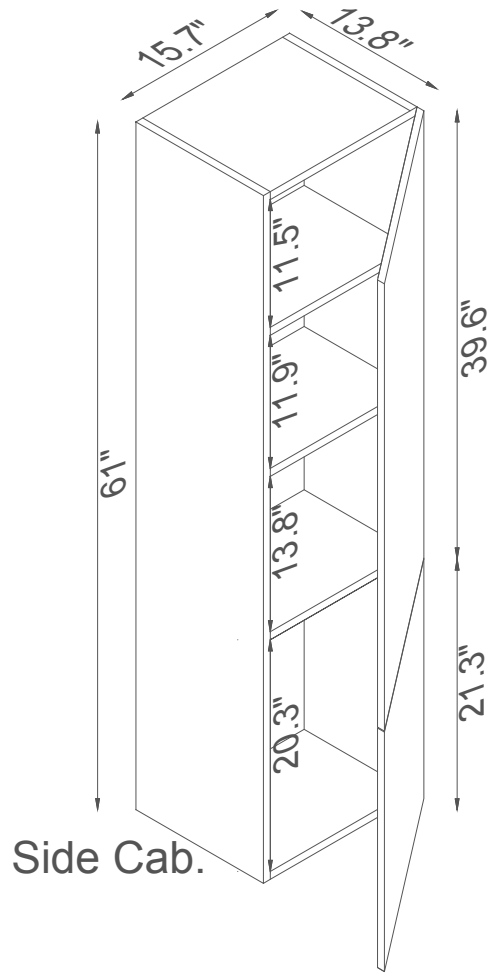
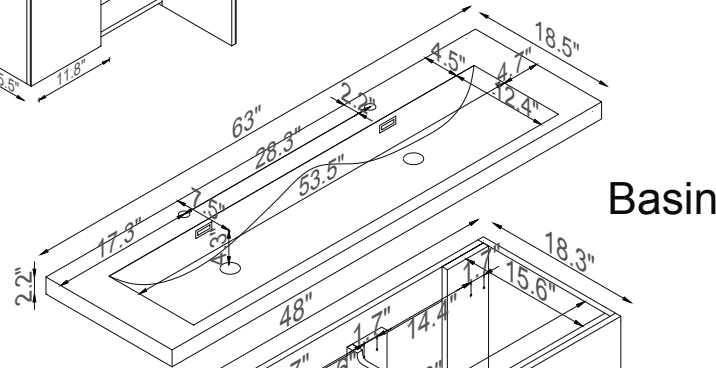




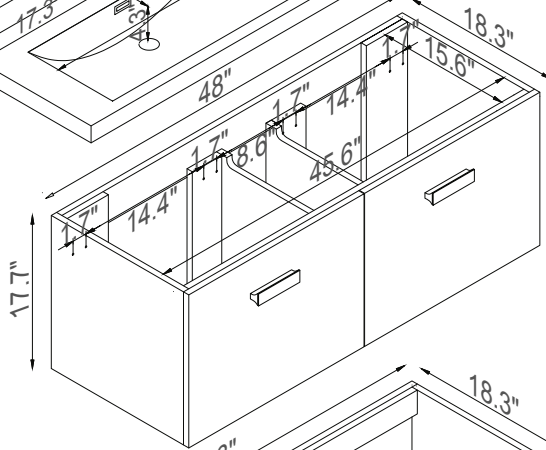
Streamline



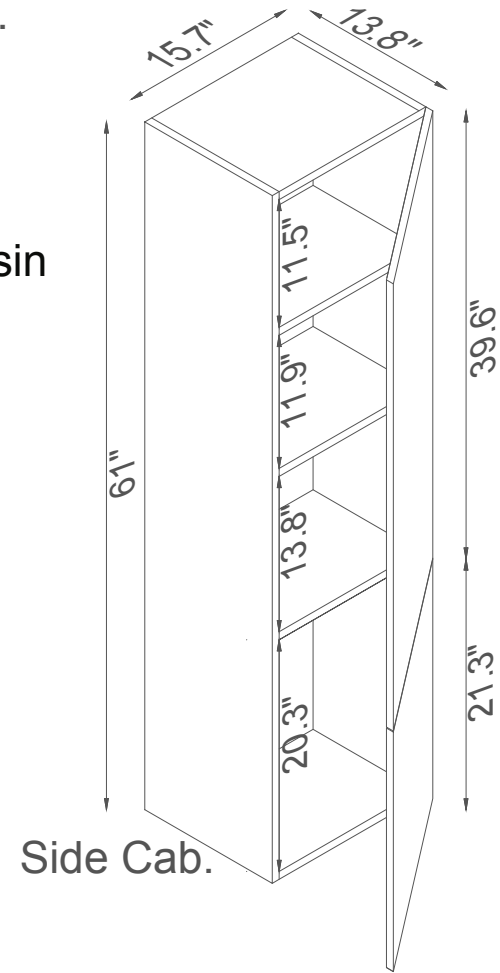
Med. Cab.



Basin



Master Cabinet



Side Cab.

K1801-098-63-51MR2S