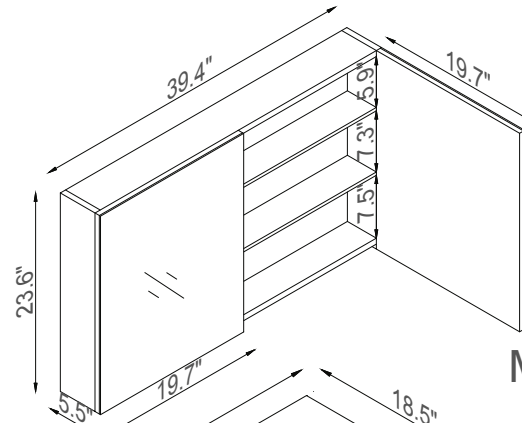
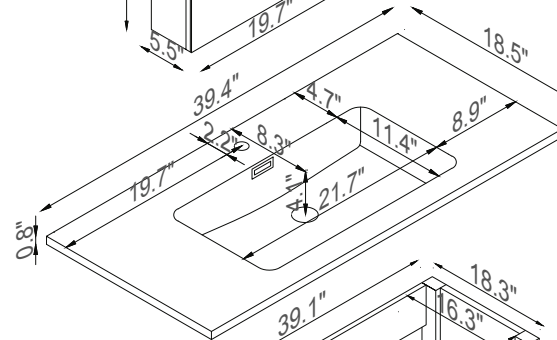




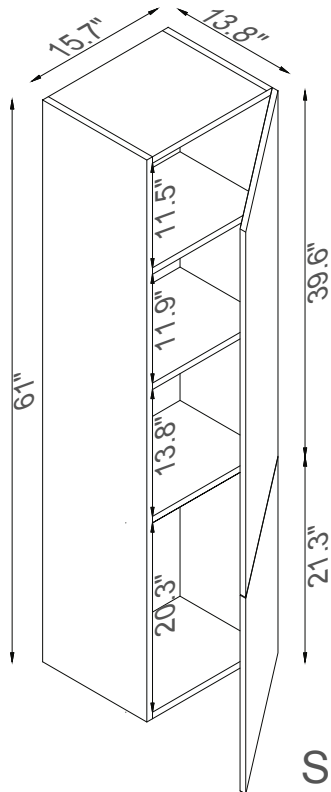
Streamline



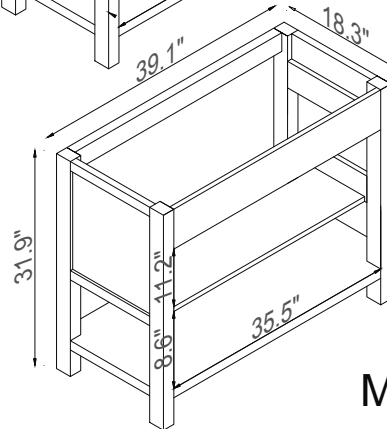
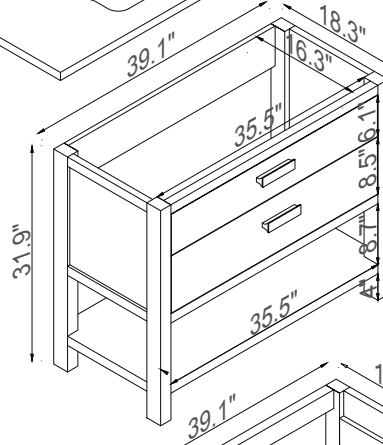
Med. Cab.



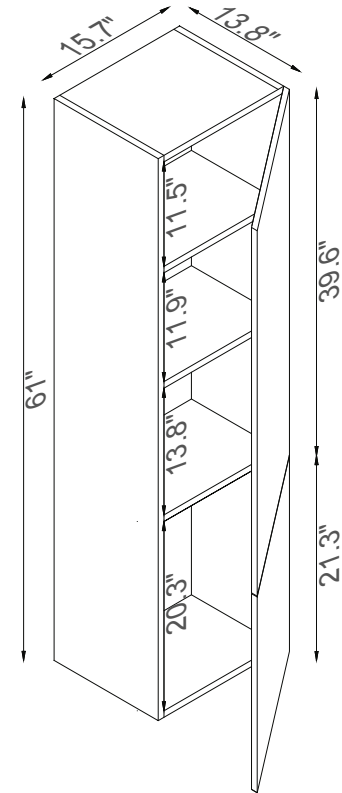
Basin



Side Cab.



Master Cabinet



Side Cab.

K1803-161-40-55MR2S