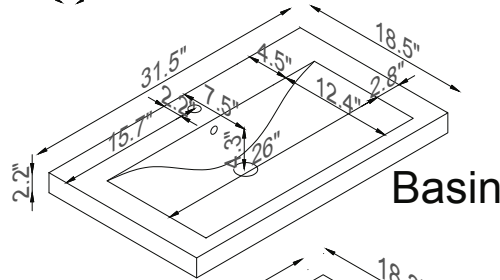
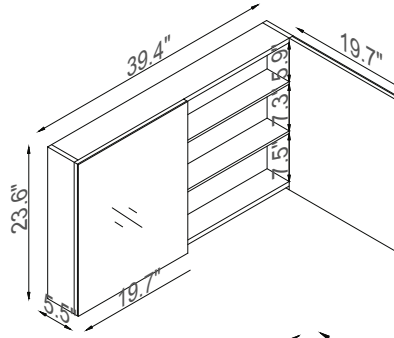
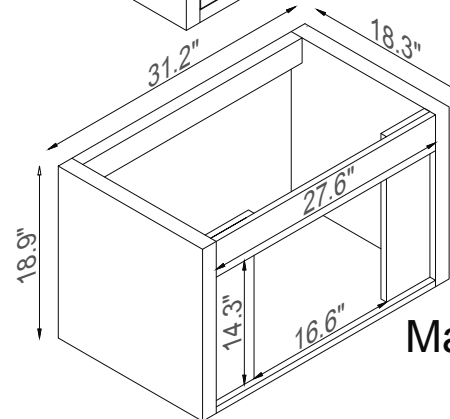
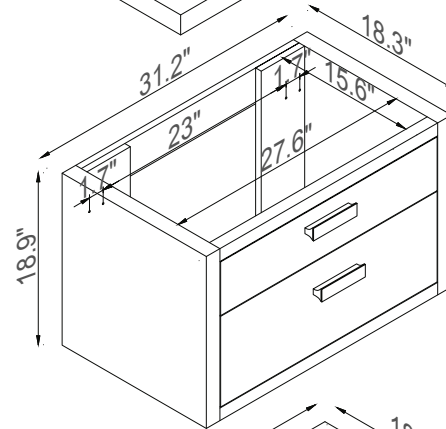




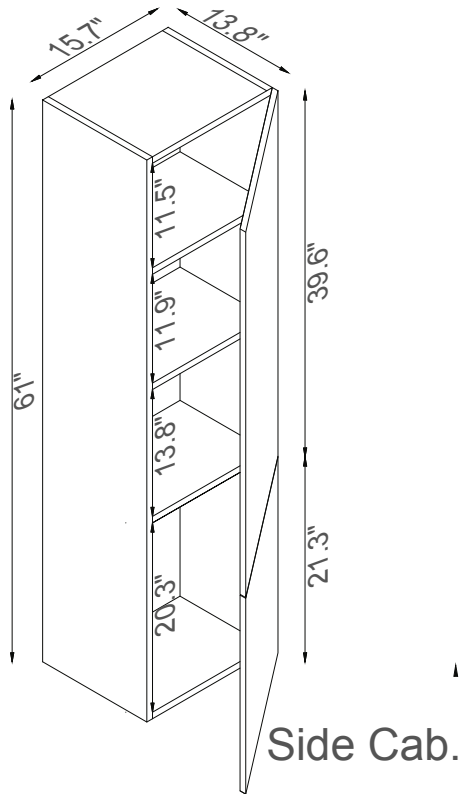
Streamline



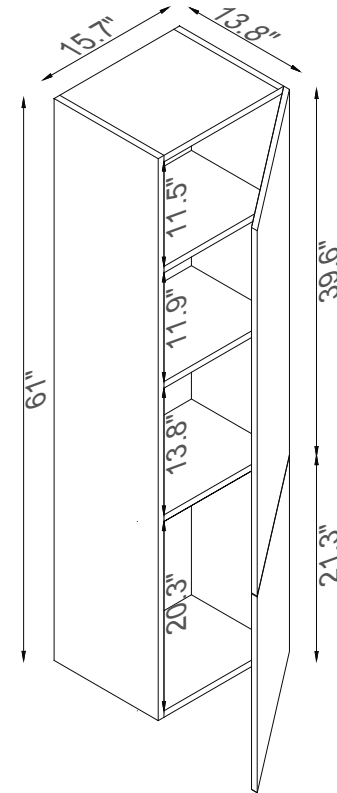
Basin



Master Cabinet



Side Cab.



Side Cab.

K1820-098-32-55MR2S