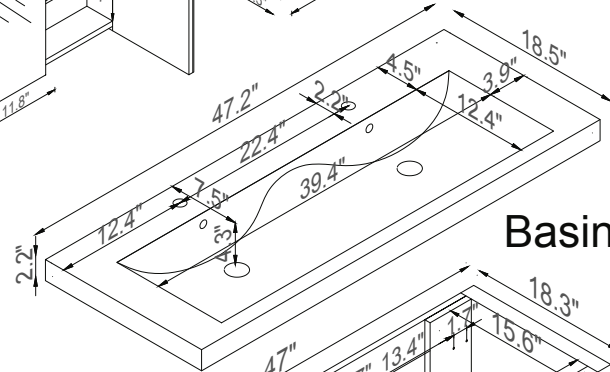
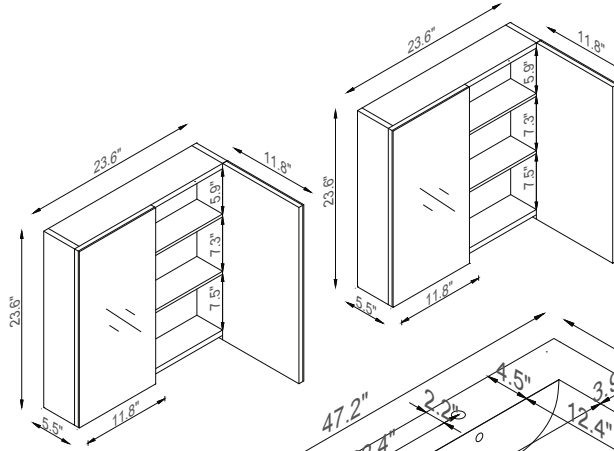
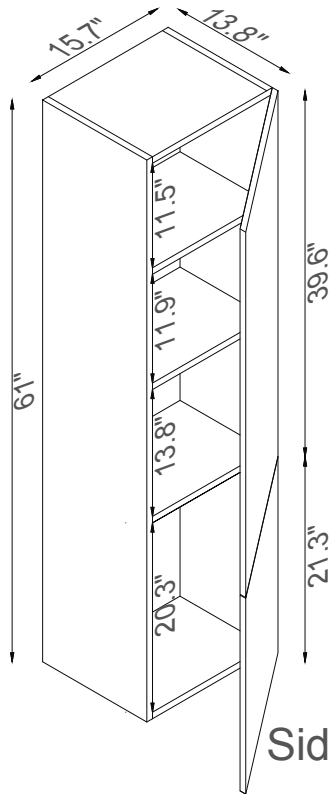




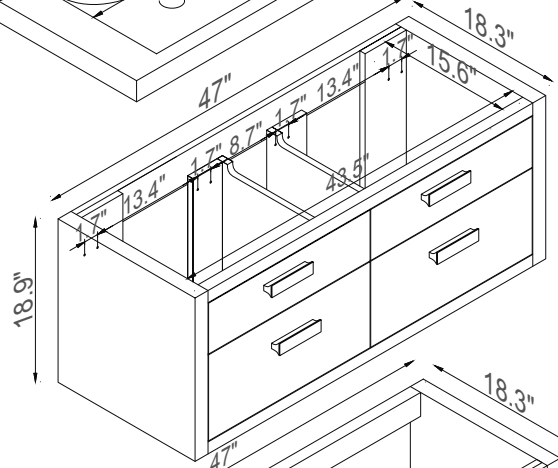
Streamline



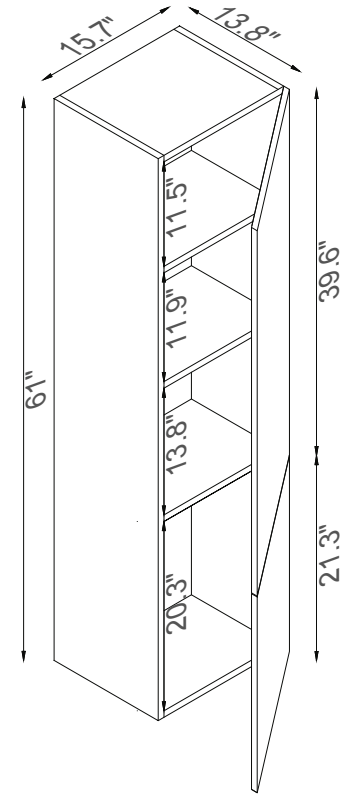
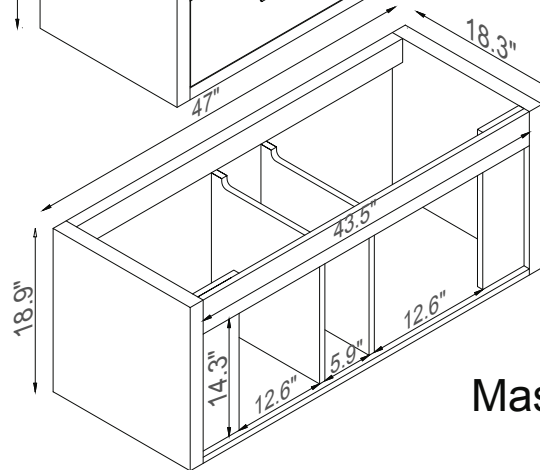
Basin



Side Cab.



Master Cabinet



Side Cab.

K1820-098-48-55MR2S