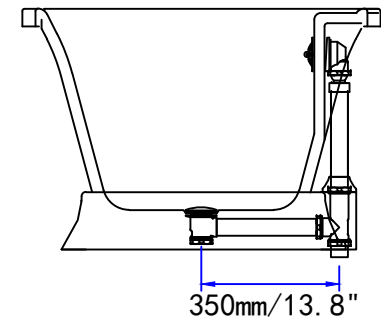
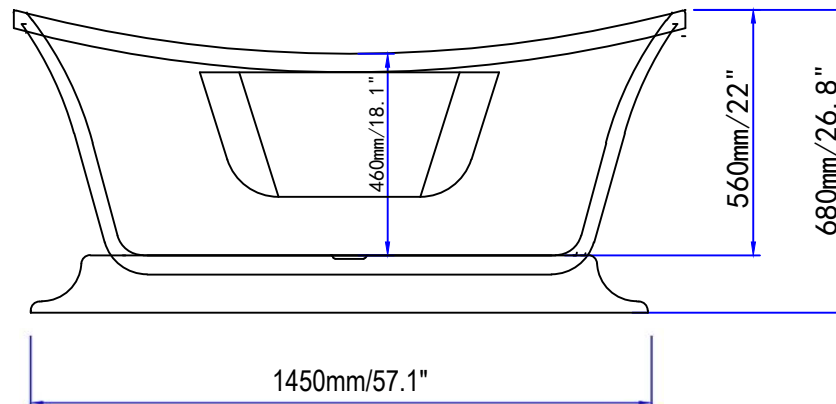
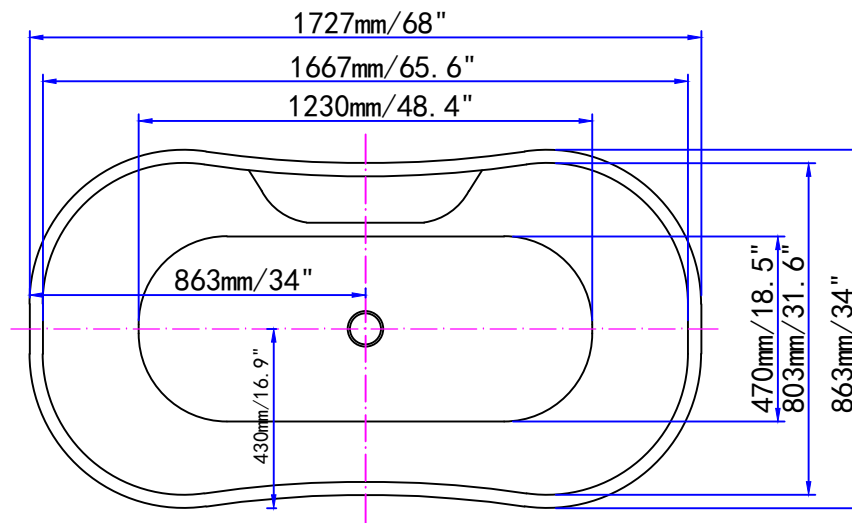




Streamline



N-961-68FSBL-DM