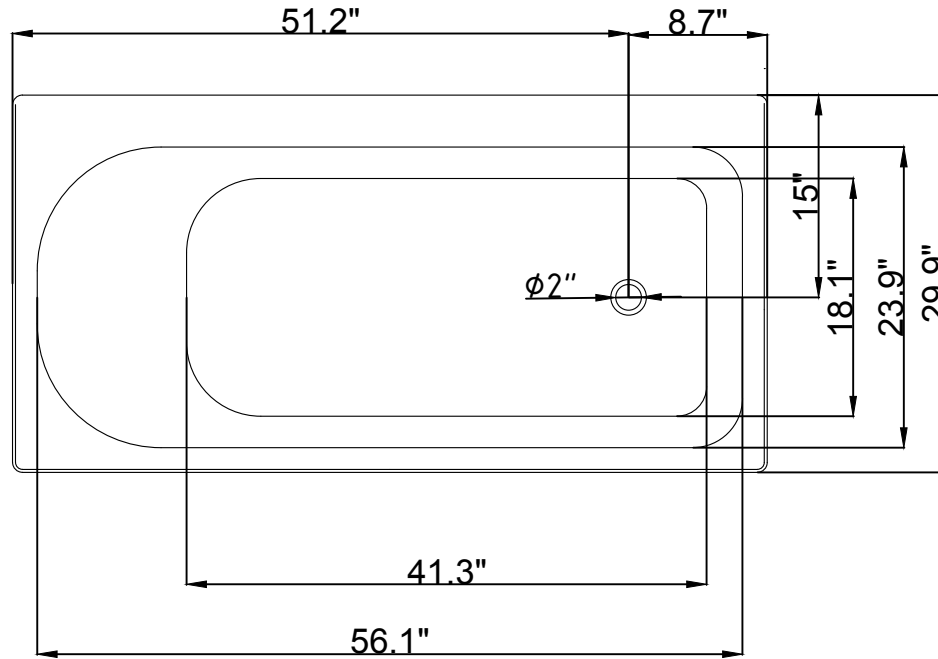
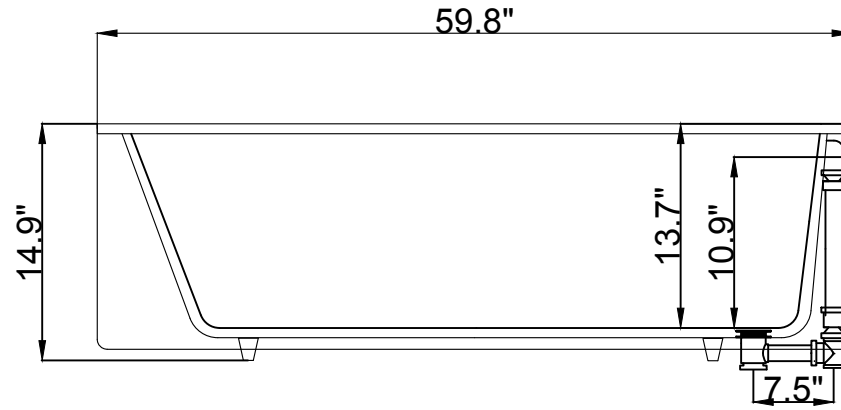




Streamline



R-5480-60CIALWH-FM