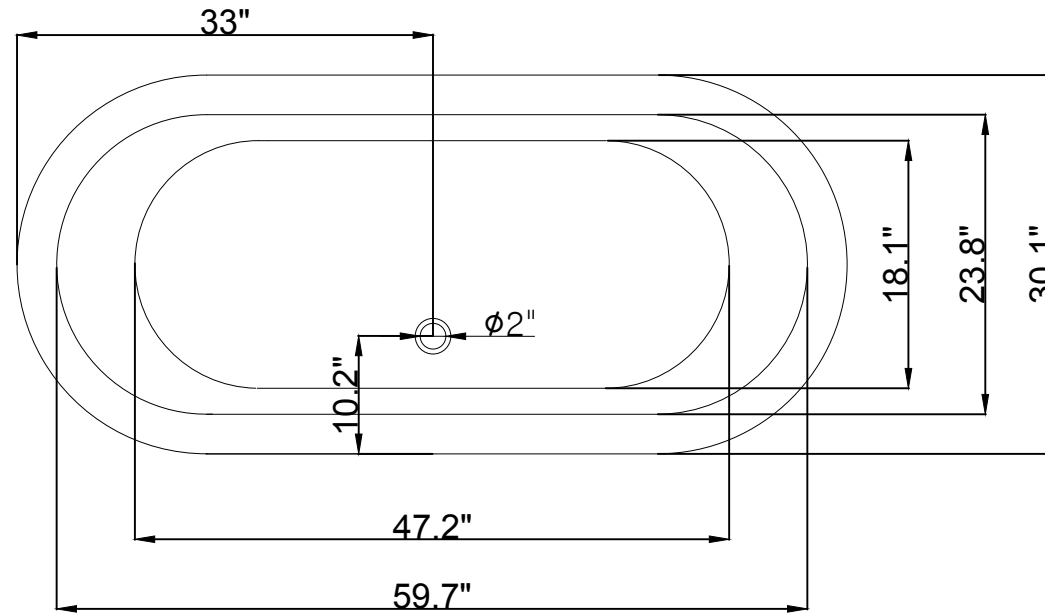
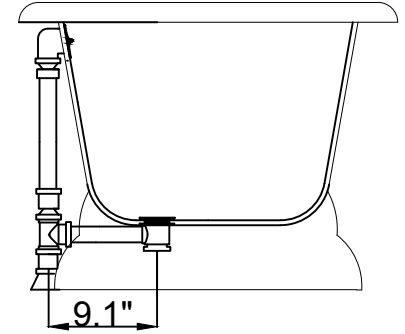
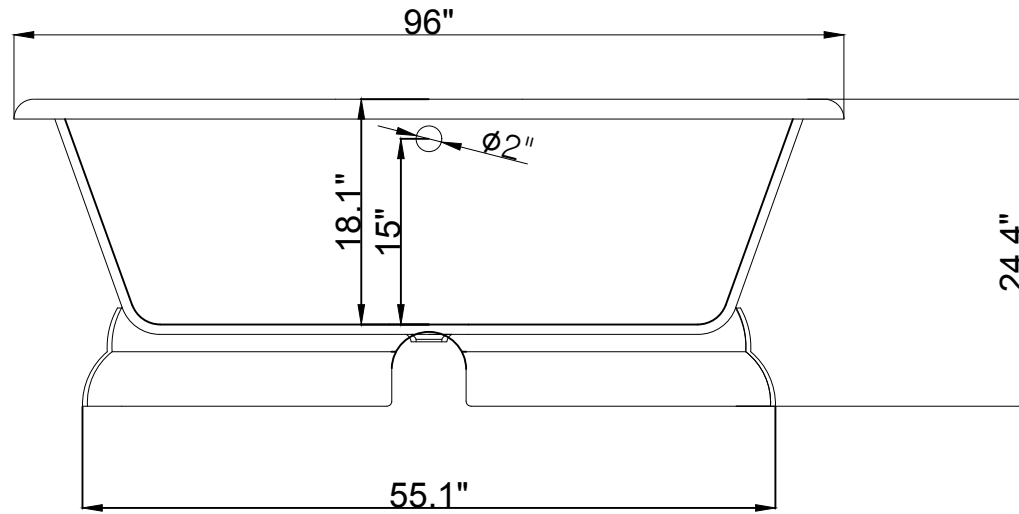




Streamline



R-5080-66CIFS WH-FM

