



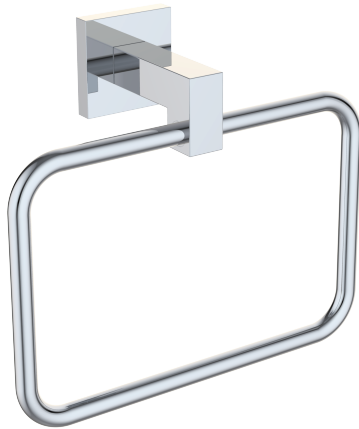
Boston

- Zinc back plate
- Mounting kit included

PRODUCT SPECIFICATION SHEET

BOSTON SERIES

BOS-TRRT-PC



FEATURES

- MODERN DESIGN
- CAST BACKINGS
- ZINC+STEEL COMPOSITION
- WALL MOUNTED

FINISHES IN STOCK

- POLISHED CHROME (PC)
- BRUSHED NICKEL (BN)

MATERIAL

- ZINC
- STAINLESS STEEL 304

WARRANTY

- LIFETIME LIMITED (RESIDENTIAL USE)
- ONE YEAR (COMMERCIAL USE)

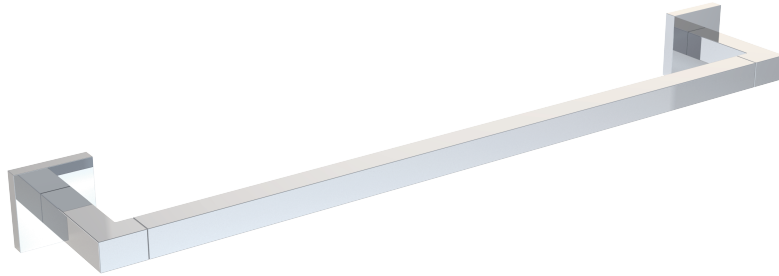
Product Code	Name	Finishes	Sizes (mm)			Sizes (Inches)		
			Length	Width	Height	Length	Width	Height
BOS-TB12	BOS-12 Towel Bar	PC, BN	352	47	84	13 7/8	1 7/8	3 3/8
BOS-TB18	BOS-18 Towel Bar	PC, BN	504	47	84	19 7/8	1 7/8	3 3/8
BOS-TB24	BOS-24 Towel Bar	PC, BN	657	47	84	25 7/8	1 7/8	3 3/8
BOS-TB30	BOS-30 Towel Bar	PC, BN	809	47	84	31 7/8	1 7/8	3 3/8
BOS-RH-1	BOS-Robe Hook	PC, BN	50	47	71	2	1 7/8	2 3/4
BOS-TRRT	BOS-Towel Ring	PC, BN	190	150	71	7 1/2	5 7/8	2 3/4
BOS-TPEURO	BOS-Tissue Holder	PC, BN	163	47	84	6 1/2	1 7/8	3 3/8
BOS-TPDROP	BOS-Tissue Holder	PC, BN	148	157	71	5 7/8	6 1/4	2 3/4
BOS-TRSQ	BOS-Towel Ring	PC, BN	149	179	71	5 7/8	7	2 3/4



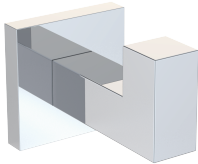
Bathroom
Accessories

Boston

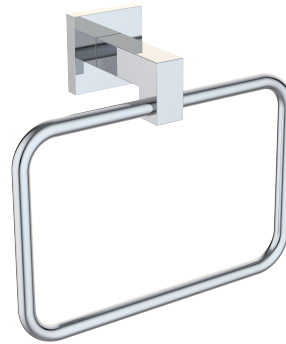
- Zinc back plate
- Mounting kit included



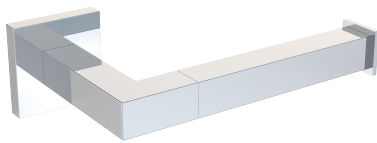
12"/18"/24"/30" Towel Bar
BOS-TB12/TB18/TB24/TB30-PC



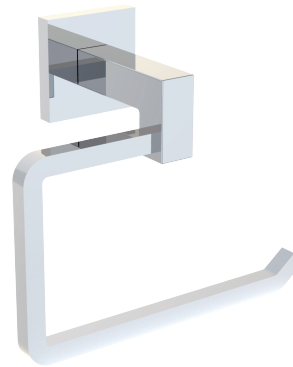
Robe Hook
BOS-RH-1-PC



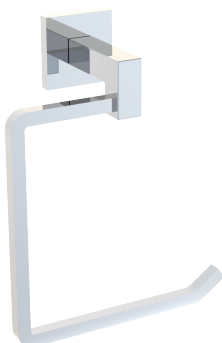
Towel Ring
BOS-TRRT-PC



Tissue Holder
BOS-TPEURO-PC



Tissue Holder
BOS-TPDROP-PC



Towel Ring
BOS-TRSQ-PC

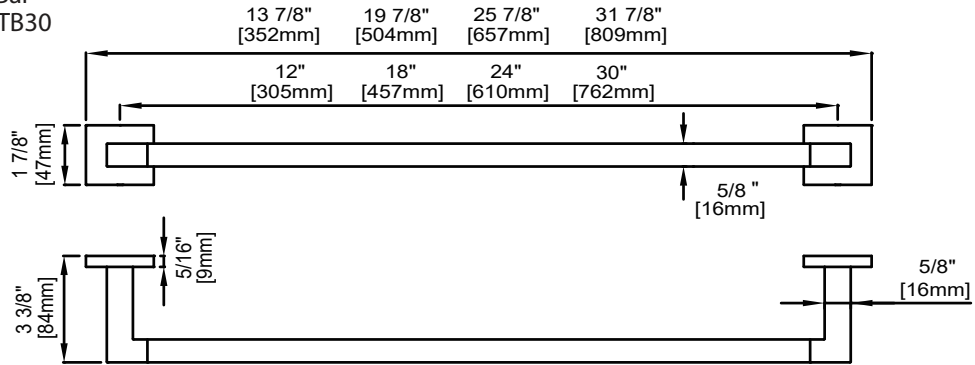


Towel Warmers

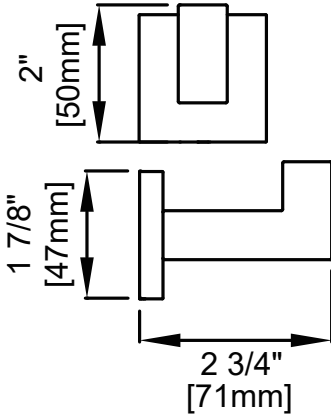
Boston

- Zinc back plate
- Mounting kit included

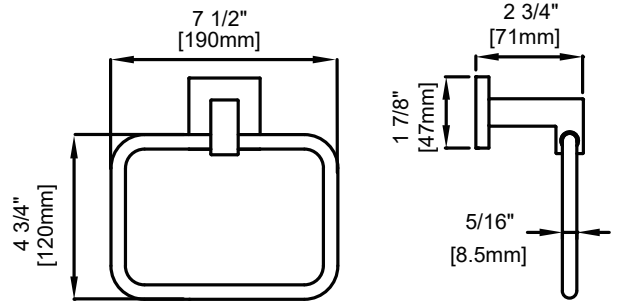
12"/18"/24"/30" Towel Bar
BOS-TB12/TB18/TB24/TB30



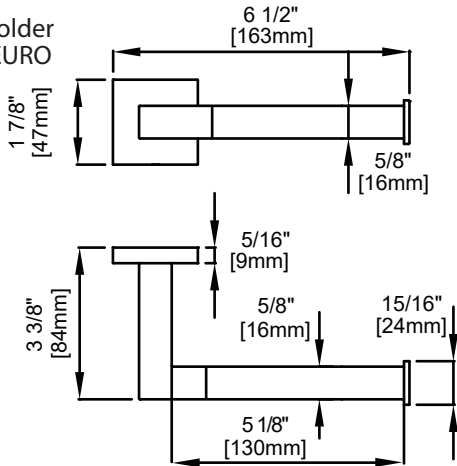
Robe Hook
BOS-RH-1



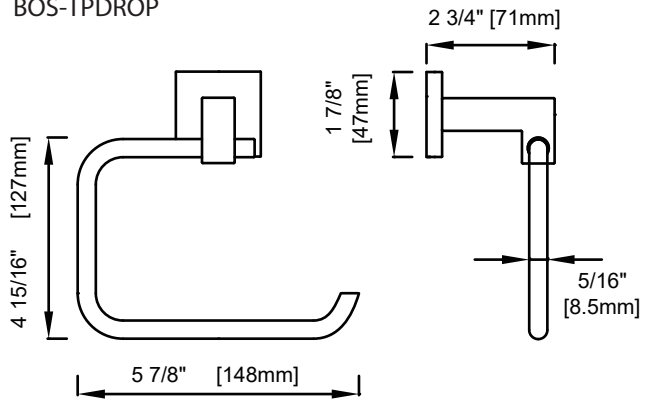
Towel Ring
BOS-TRRT



Tissue Holder
BOS-TPEURO



Tissue Holder
BOS-TPDROP



Towel Ring
BOS-TRSQ

