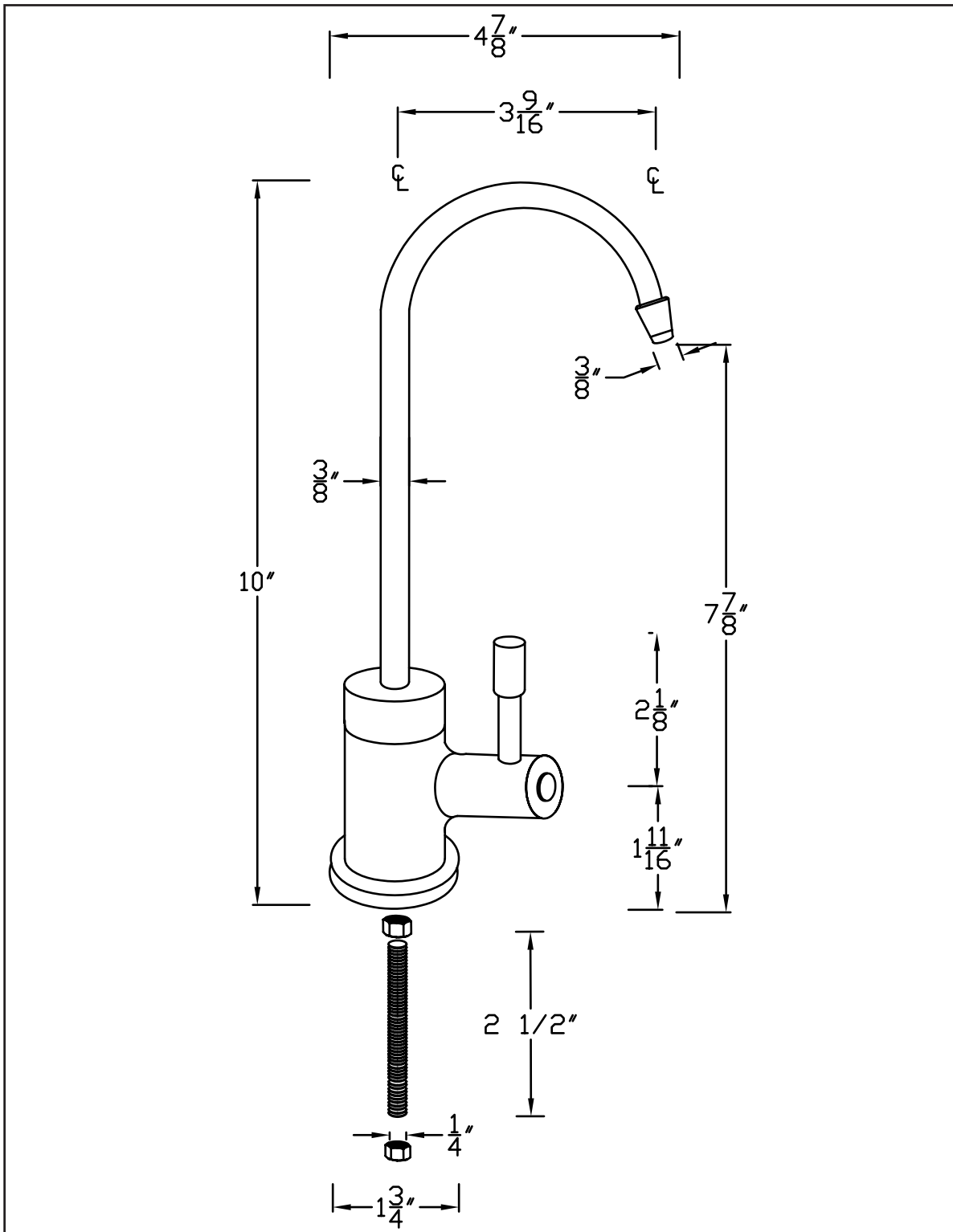


# D2036

## WATER DISPENSERS

D 2036 10" CONTEMPORARY COLD ONLY WATER DISPENSER WITH LEVER HANDLE. 1/4-TURN CERAMIC DISK CARTRIDGE.



# WESTBRASS

2429 E. Olympic Blvd. Los Angeles, CA 90021  
Phone: 213-627-8441 Fax: 213-627-2844  
www.westbrass.com info@westbrass.com