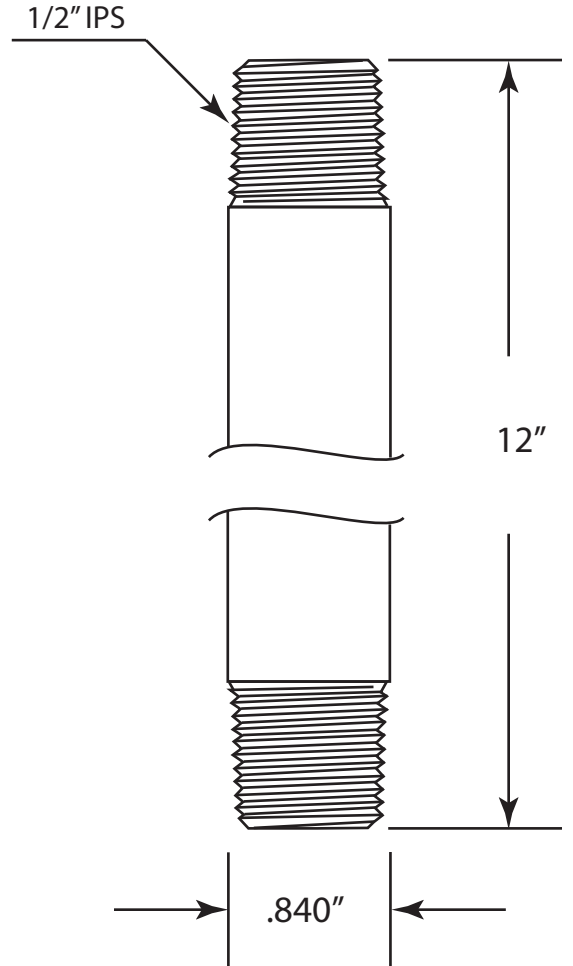
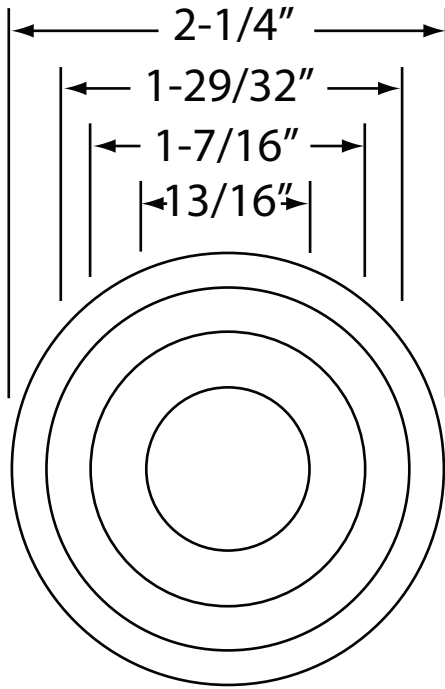


PART NO. D3612A

SPECIFICATION SHEET

Brass 1/2 in. IPS Shower Arm  
and flange



0.109" Wall  
Thickness

