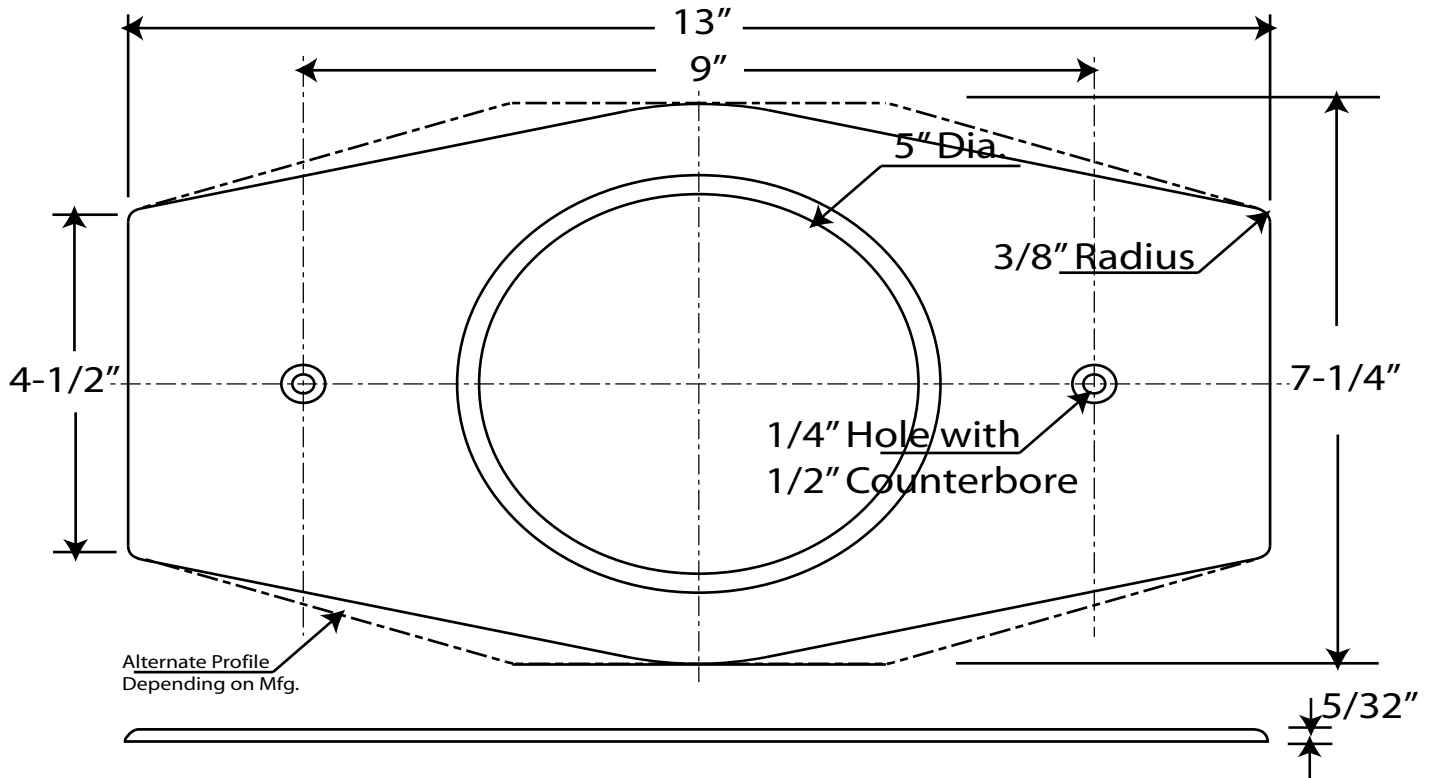


PART NO. D502

SPECIFICATION SHEET

1-Hole Remodel Plate for Moen and Delta Valves



Alternate Profile
Depending on Mfg.

