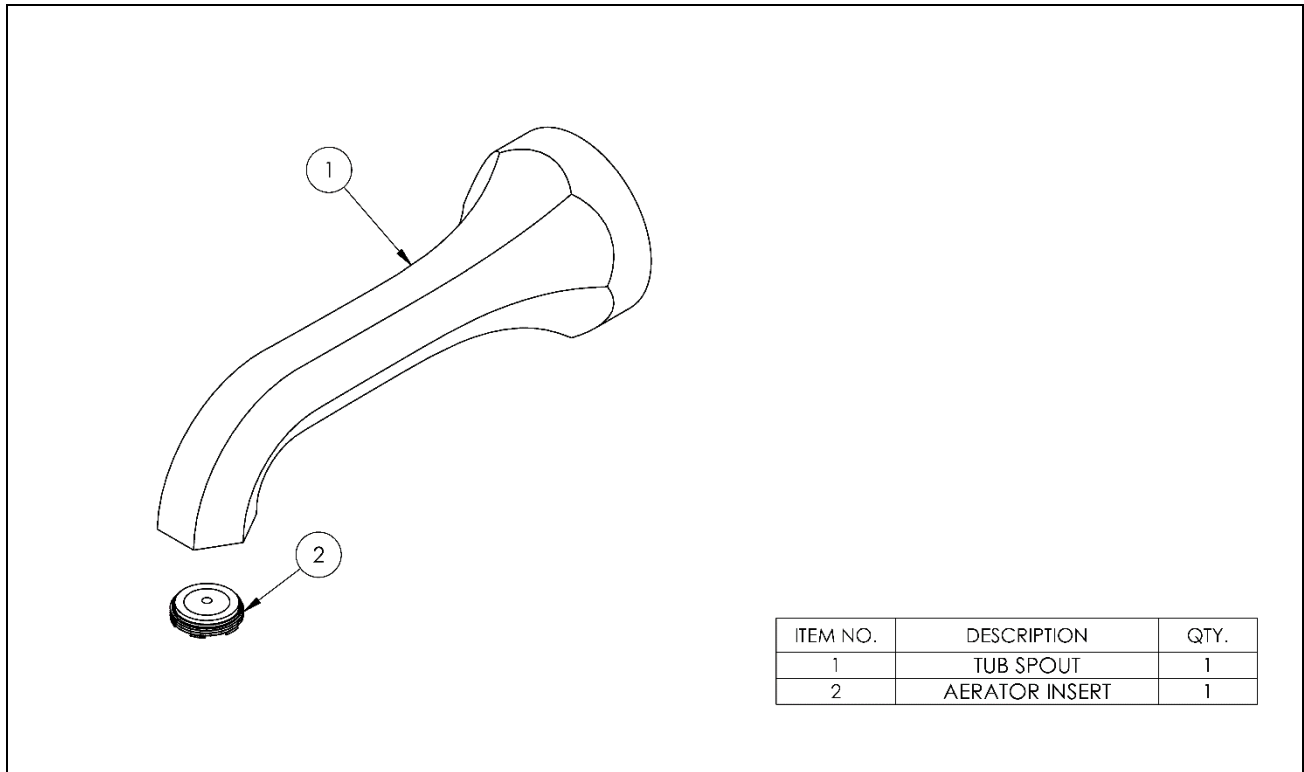
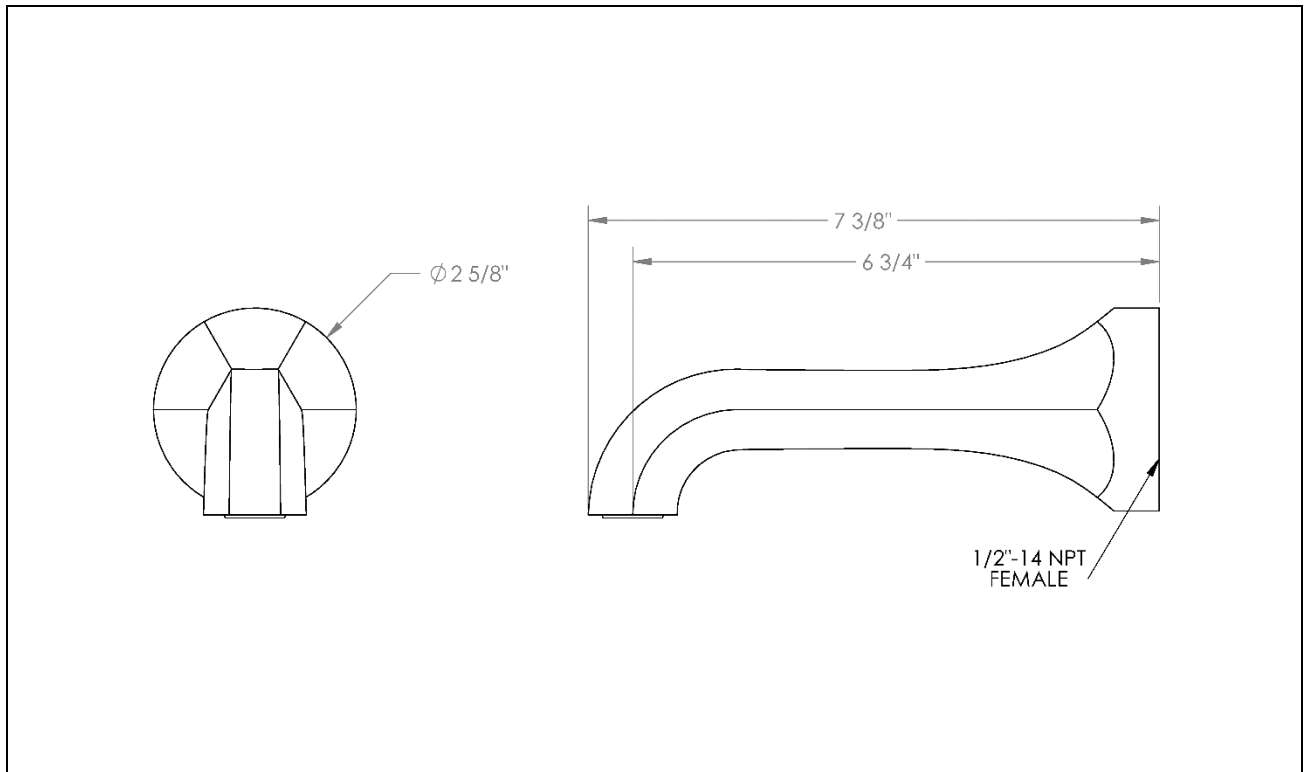


Exploded View



Dimensions



Installation Instructions

1. A well-supported 1/2" NPT elbow with nipple is required in the wall prior to installation.
2. Hole in the wall should be at least $\text{Ø}1"$ to fit pipe nipple. Nipple should end about 1/2" to 5/8" in front of the finished wall.
3. Thread the **tub spout** (1) onto the nipple so that the outlet faces down when the back of the spout contacts the wall. Use a strap wrench or soft jaw pliers if necessary. A bead of silicone sealant should be applied in between the wall and spout.
4. With the provided aerator key, remove the **aerator insert** (2). Be careful not to not lose the gasket that is embedded in the aerator insert.
5. Flush the tub spout.
6. Reinsert the aerator insert with the aerator key.

IMPORTANT INSTALLATION INFORMATION

- Use Teflon tape or pipe sealant for threaded connections.
- Do NOT use Plumber's Putty on any of the brass components.
This will cause the finish to tarnish and void the warranty. A non-corrosive alkoxy silicone is recommended.
- Copper adapters may be required to complete your installation.
- Refer to maintenance guide for finish care instructions.

For technical support, please call 718-257-2800