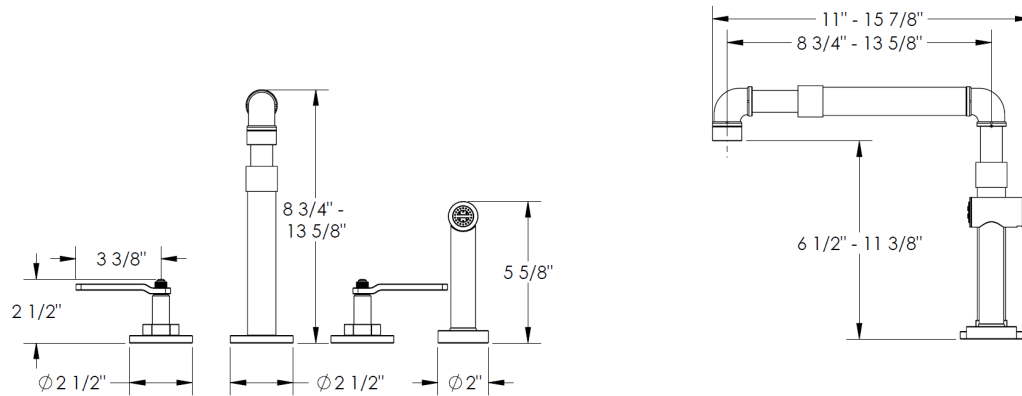


FEATURES

- ¼ turn washerless ceramic disc valve cartridges
- Flexible hose connections
- Flow rate 1.5 gpm (5.7 lpm) maximum flow rate
- Solid brass construction
- Warranty:
 - Limited lifetime warranty (residential use)
 - One year (commercial use)
- Shipping weight (lbs.) 10
- Shipping dimensions (in.): 29x12x4



ITEM NO.	PART NUMBER	QTY.
2	38-7-PIPE-ASSY	1
10	NEOPERL CACHE AERATOR	1
12	22-2-SPT-BASE-GSKT	1
14	952 CENTERBODY NIPPLE	1
16	952-MTL-DIV	1
17	CENTERBODY LOCK NUT	1
19	SUPPLY HOSE	2
20	952-CNTR-GSKT	1
21	EV4-ESC-RING	2
23	EV4-STEM-ASSY	2
24	EV4-BRCH-SLVE	2
25	EV4-LVR-C	1
26	EV4-POST-CAP	2
27	CR-PHMS 0.164-32x1.625x1-S	2
28	AS568 - 012	5
30	EV4-LVR-H	1
31	24 H BASE LOCK NUT	1
32	24 H BASE OUTER KITCHEN	1
33	H-BASE-INNR-KTCHN	1
36	MSA6-SPRY-HEAD	1
53	MSA4-HOSE-GSKT	1
56	MSA4-FLEX-HOSE	1
57	142-LOCK-NUT	4
58	SS-502 VALVE BODY	2
59	SS-502-CARTRIDGE	2

IMPORTANT INSTALLATION INFORMATION

- USE TEFLON TAPE OR PIPE SEALANT FOR THREADED CONNECTIONS
- DO NOT USE PLUMBER'S PUTTY ON ANY OF THE BRASS COMPONENTS
This will cause the finish to tarnish and void the warranty. A non-corrosive Alkoxy Silicone is recommended.
- DURING SWEATING OF LINES DO NOT OVERHEAT CASTING
Overheating may cause damage to internal mechanism
- COPPER ADAPTORS MAY BE REQUIRED TO COMPLETE YOUR INSTALLATION

For technical support, please call 718-257-2800

