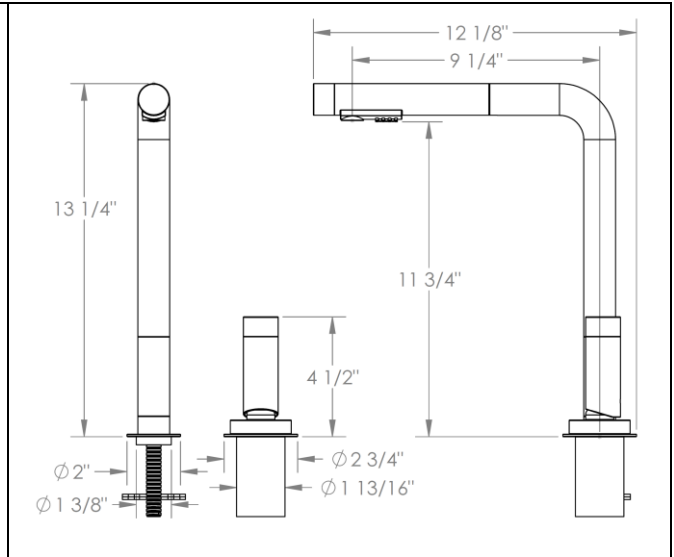
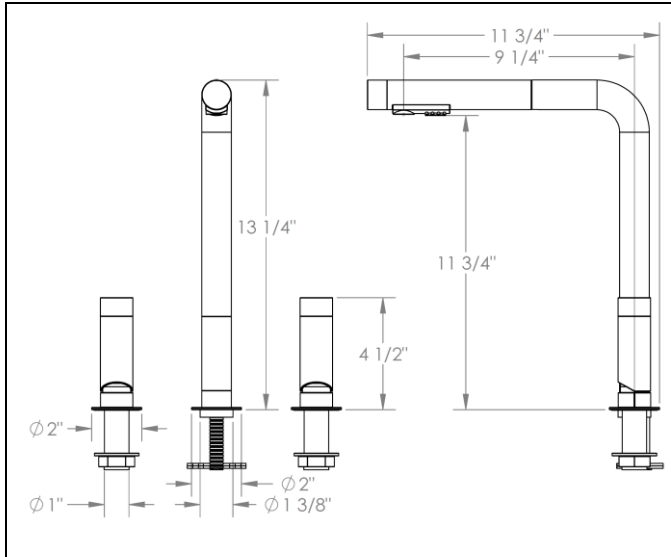
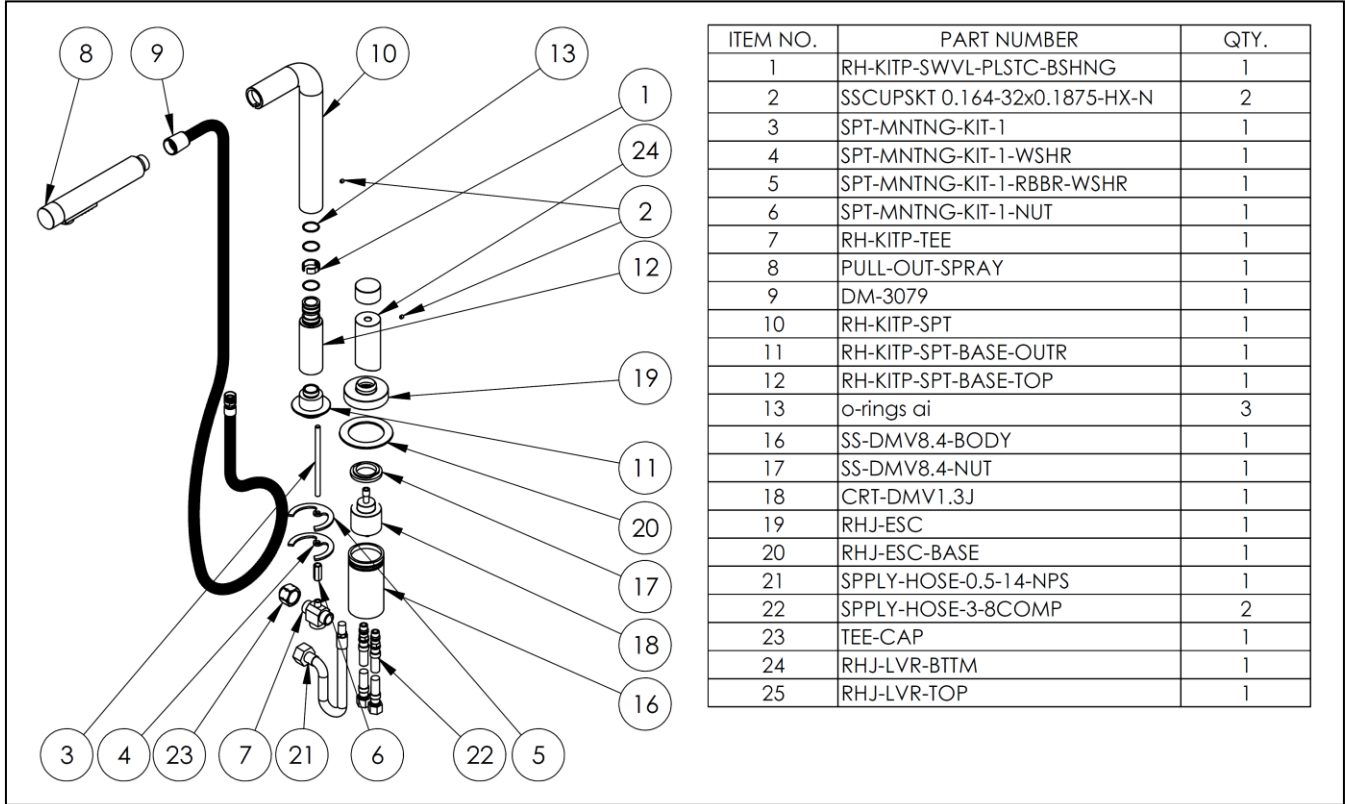


## FEATURES

- RHL Trim: linear ceramic disc valve cartridges
- RHJ Trim: mixing ceramic disc valve cartridge
  - Note: This handle trim requires a  $\phi 1 \frac{7}{8}$ " hole size in counter
- Flexible hose connections
- Flow rate 1.5 gpm (5.7 lpm) maximum flow rate
- Solid brass construction
- Warranty:
  - Limited lifetime warranty (residential use)
  - One year (commercial use)
- Shipping weight (lbs.) 10
- Shipping dimensions (in.): 29x1



ITEM NO.	PART NUMBER	QTY.
1	RH-KITP-SWVL-PLSTC-BSHNG	1
2	socket set screw cup point_ai	3
3	SPT-MNTNG-KIT-1	1
4	SPT-MNTNG-KIT-1-WSHR	1
5	SPT-MNTNG-KIT-1-RBBR-WSHR	1
6	SPT-MNTNG-KIT-1-NUT	1
7	RH-KITP-TEE	1
8	PULL-OUT-SPRAY	1
9	DM-3079	1
10	RH-KITP-SPT	1
11	RH-KITP-SPT-BASE-OUTR	1
12	RH-KITP-SPT-BASE-TOP	1
13	o-rings ai	3
14	RHL-BASE-RING	2
15	142-LOCK-NUT	2
16	SS-502 VALVE BODY	2
17	SS-502-CARTRIDGE	2
18	AS568 - 031	2
19	RHL-HNDL-BASE	2
20	RHL-LVR-BTMM	2
21	RHL-LVR-TOP	2
22	RHL-HNDL-ADAP	2
23	SUPPLY HOSE	2



**IMPORTANT INSTALLATION INFORMATION**

- USE TEFLON TAPE OR PIPE SEALANT FOR THREADED CONNECTIONS
- DO NOT USE PLUMBER’S PUTTY ON ANY OF THE BRASS COMPONENTS  
This will cause the finish to tarnish and void the warranty. A non-corrosive Alkoxy Silicone is recommended.
- DURING SWEATING OF LINES DO NOT OVERHEAT CASTING  
Overheating may cause damage to internal mechanism
- COPPER ADAPTORS MAY BE REQUIRED TO COMPLETE YOUR INSTALLATION

**For technical support, please call 718-257-2800**