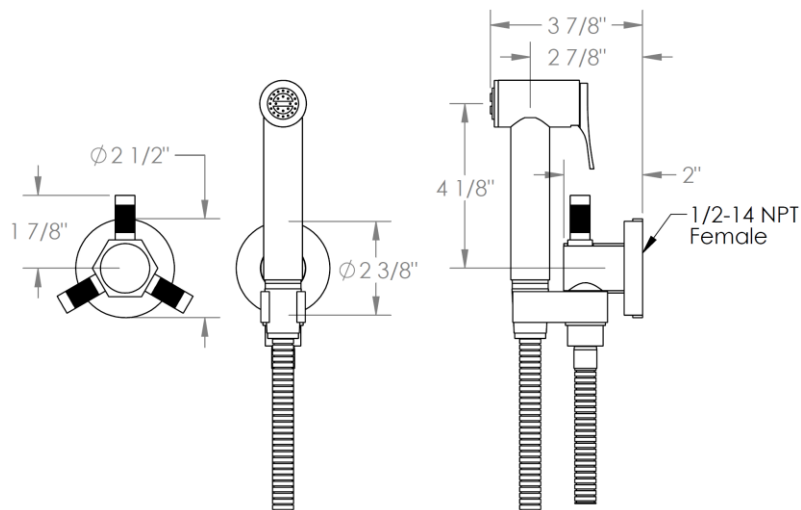


**111-4.4-SP5**

Wall Mounted Bidet Spray Set with Progressive Mixer and 49" Hose  
Requires SS-SHV1.2 concealed rough

Note: Some building codes require backflow preventers installed in the supply lines



Meets the applicable requirements of ASME A112.18.1-2005/CSA B125.1-05, entitled "Plumbing Supply Fittings"

**WATERMARK DESIGNS 12/20/2018**

350 Dewitt Ave Brooklyn NY 11207 USA T 718 257 2800 F 718 257 2144 info@watermark-designs.com