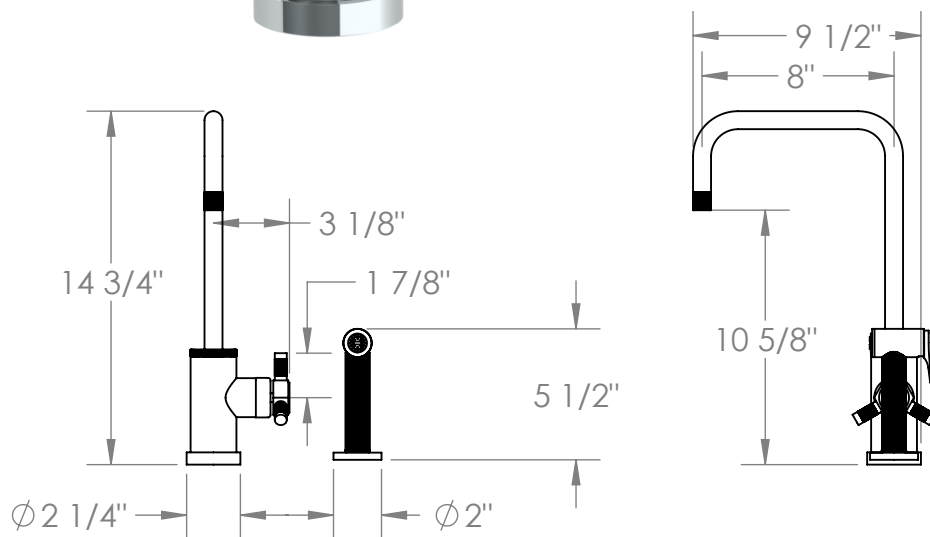


111-7.4-SP5

Deck Mounted 2 Hole Kitchen Set w/ Side Spray
Flow Rate: 1.75 GPM



Meets the applicable requirements of ASME A112.18.1-2005/CSA B125.1-05, entitled "Plumbing Supply Fittings"