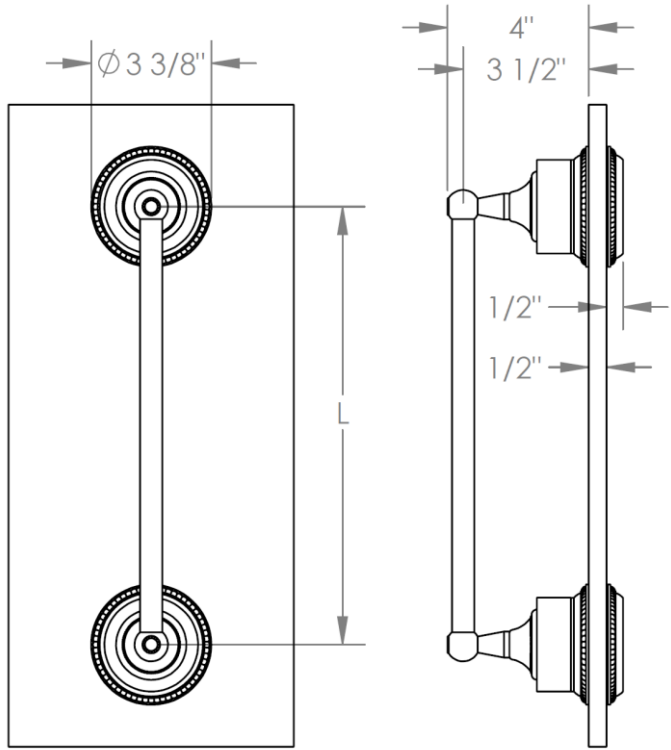


180-0.1- GDP

Glass Mounted Single Door Pull
For use with 1/2" thick glass with Ø1/2" holes
Venetian Collection

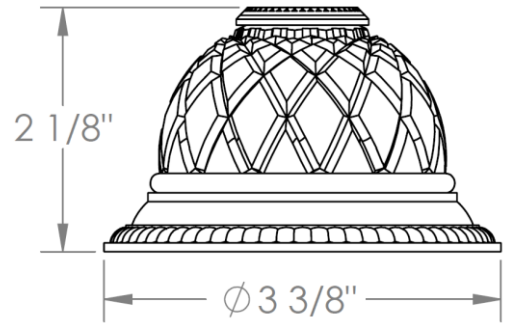


MODEL NO.	DIMENSION OF L
180-0.1-6GDP	6"
180-0.1-12GDP	12"
180-0.1-18GDP	18"
180-0.1A-GDP	24"

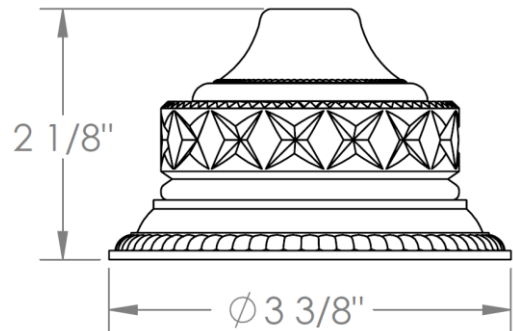


ESCUTCHEON TRIM OPTIONS

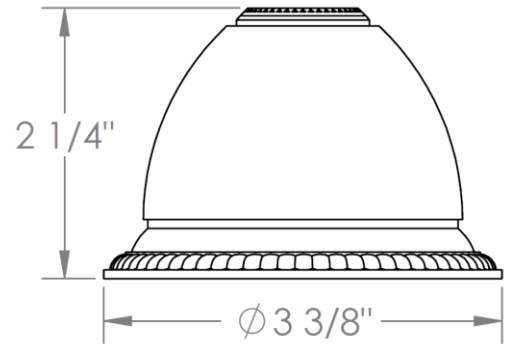
AA - VENICE



BB - GENOA



CC - POMPEI



DD - NAPLES

