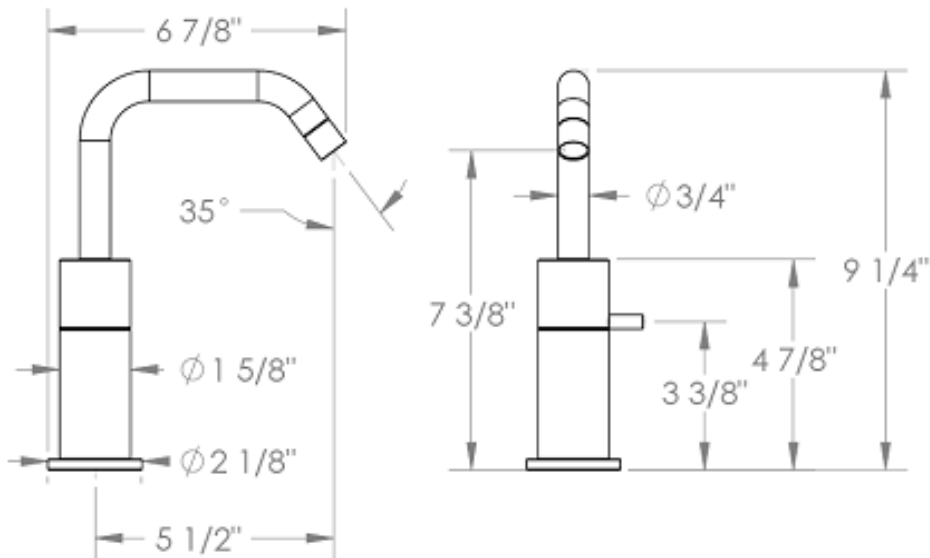


22-1.101-TIB

Hydroprogressive lavatory single-hole faucet
Water Volume is controlled by rotating aerator shell
(Use with MPU5 Soft-touch drain)



Meets the applicable requirements of ASME A112.18.1-2005/CSA B125.1-05, entitled "Plumbing Supply Fittings"

WATERMARK DESIGNS 10/13/2014

350 Dewitt Ave Brooklyn NY 11207 USA T 718 257 2800 F 718 257 2144 info@watermark-designs.com