

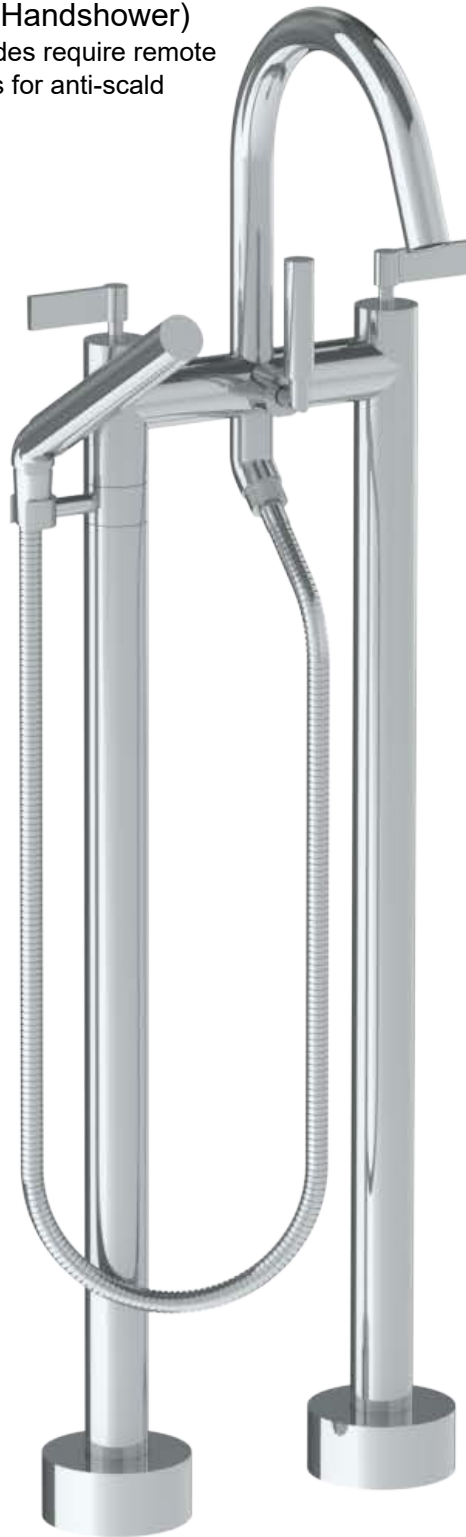
**37-8.3-BL2**

Floor Mounted Tub Group with Handshower

8 GPM @ 45 PSI (Tub)

2.0 GPM @45 PSI (Handshower)

Note: Some building codes require remote pressure balance valves for anti-scald



Meets the applicable requirements of ASME A112.18.1-2005/CSA B125.1-05, entitled "Plumbing Supply Fittings"

**WATERMARK DESIGNS**

350 Dewitt Ave Brooklyn NY 11207 USA T 718 257 2800 F 718 257 2144 [info@watermark-designs.com](mailto:info@watermark-designs.com)

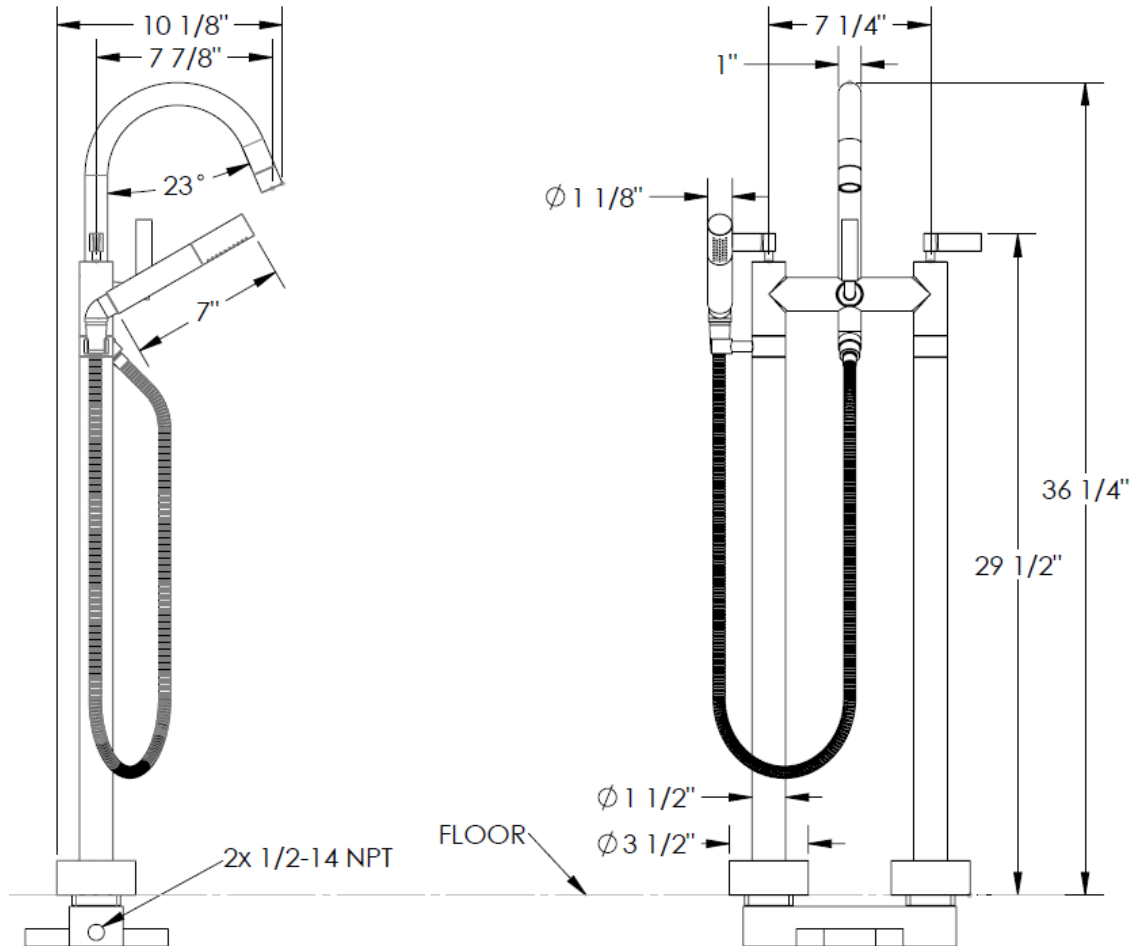
### 37-8.3-BL2

Floor Mounted Tub Group with Handshower

8 GPM @ 45 PSI (Tub)

2.5 GPM @ 45 PSI (Handshower)

Note: Some building codes require remote pressure balance valves for anti-scald



Meets the applicable requirements of ASME A112.18.1-2005/CSA B125.1-05, entitled "Plumbing Supply Fittings"

# WATERMARK DESIGNS

350 Dewitt Ave Brooklyn NY 11207 USA T 718 257 2800 F 718 257 2144 info@watermark-designs.com