

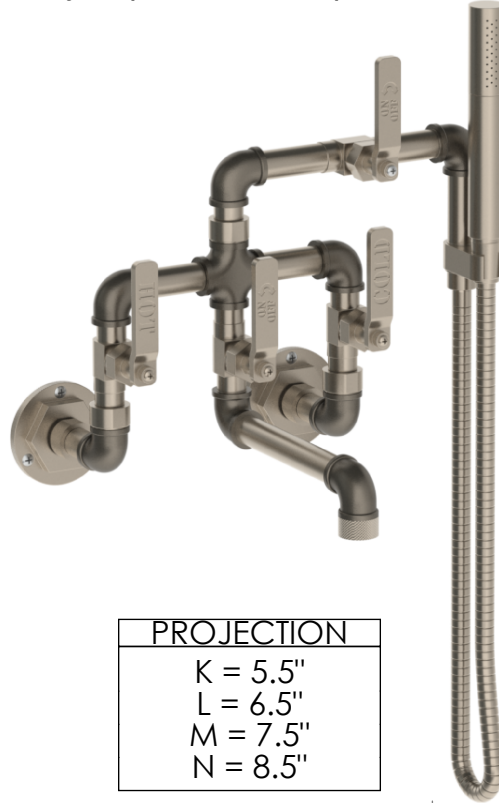
38-5.2-_-EV4

Wall Mounted Exposed Bath Set with Hand Shower

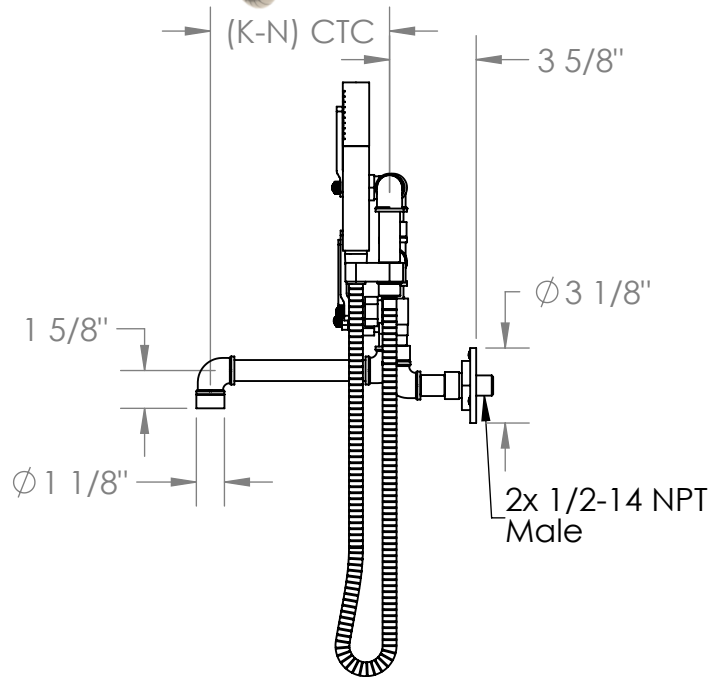
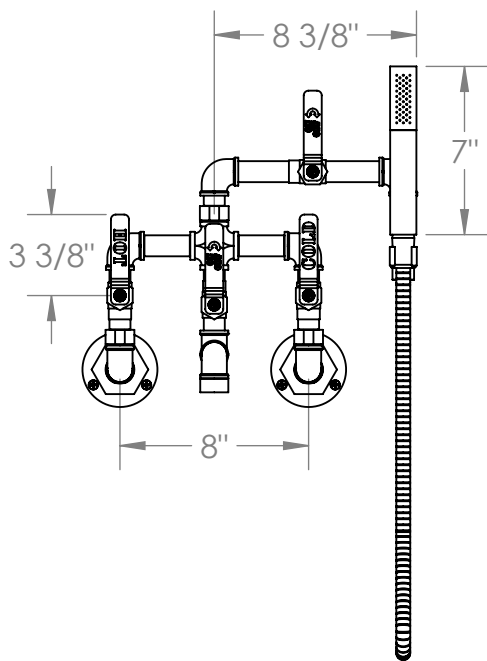
Hand Shower Flow Rate: 1.75 GPM

Note: Please specify (K-N)

Note: Some building codes may require a remote pressure balance valve for anti-scald



PROJECTION	
K	= 5.5"
L	= 6.5"
M	= 7.5"
N	= 8.5"



Meets the applicable requirements of ASME A112.18.1-2005/CSA B125.1-05, entitled "Plumbing Supply Fittings"