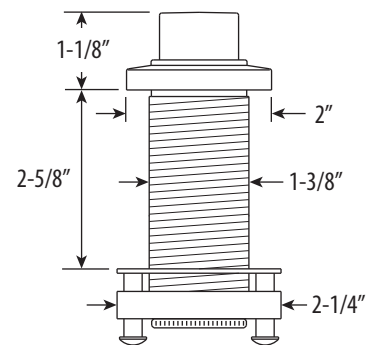
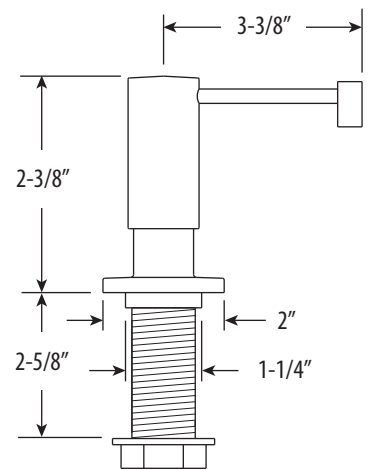
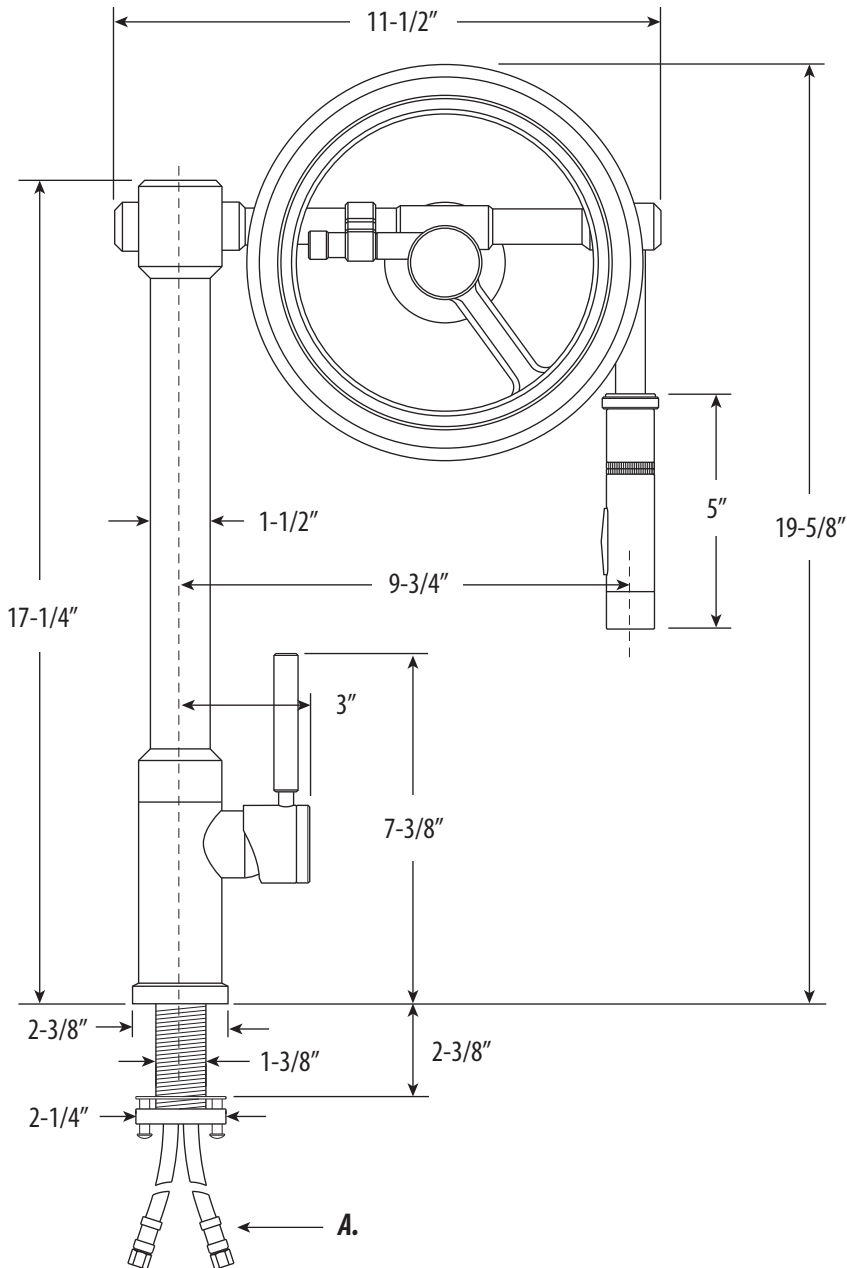


## ENDEAVOR WHEEL PULLDOWN FAUCET / 3PC. SUITE

# 5125-3

- Max Counter Thickness 2-3/8"
- Minimum Install Hole Size 1-1/2"

**A. Supply Hoses - 20" Long with 3/8" Compression Fittings**



**ECO BRASS**  
HIGH PERFORMANCE LEAD FREE BRASS

DIMENSIONS MAY VARY AND ARE SUBJECT TO CHANGE. NO RESPONSIBILITY IS ASSUMED FOR USE OF SUPERCEDED OR VOIDED DATA