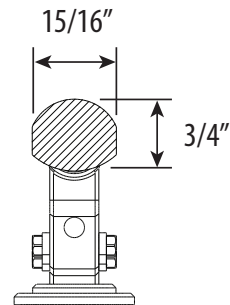


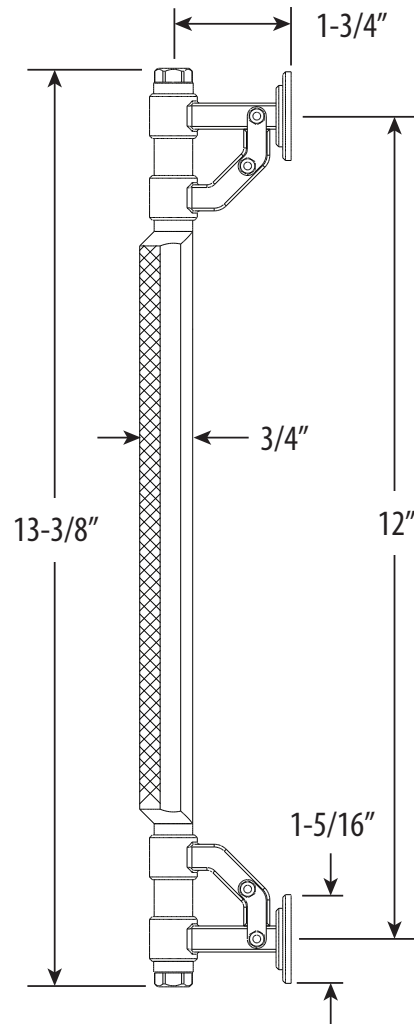
INDUSTRIAL 12" APPLIANCE PULL

HIP-1201

• FITS MATERIALS FROM 1/4" TO 1-1/2" THICK



END VIEWS

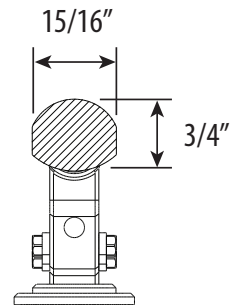


DIMENSIONS MAY VARY AND ARE SUBJECT TO CHANGE. NO RESPONSIBILITY IS ASSUMED FOR USE OF SUPERCEDED OR VOIDED DATA

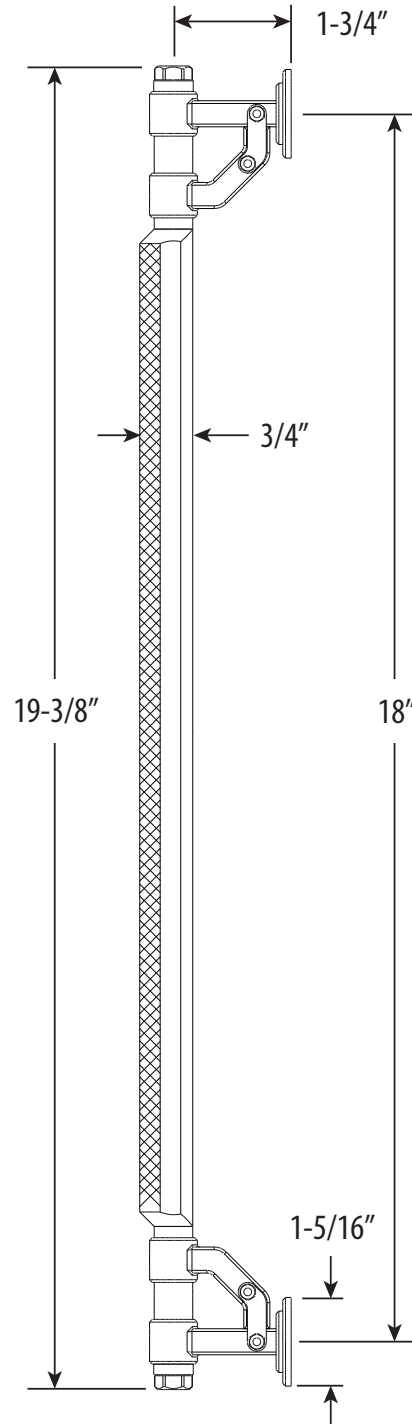
INDUSTRIAL 18" APPLIANCE PULL

HIP-1800

• FITS MATERIALS FROM 1/4" TO 1-1/2" THICK



END VIEWS



DIMENSIONS MAY VARY AND ARE SUBJECT TO CHANGE. NO RESPONSIBILITY IS ASSUMED FOR USE OF SUPERCEDED OR VOIDED DATA