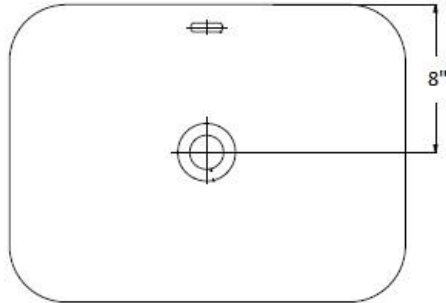




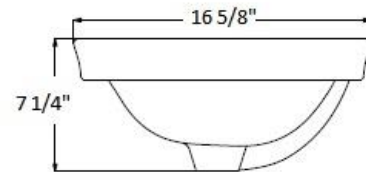
Installation Information

Item #P1119 Drop-in Sink

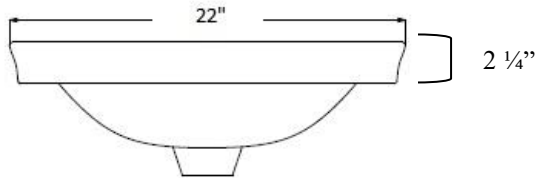
TOP_VIEW



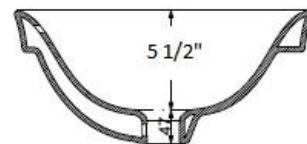
SIDE_VIEW



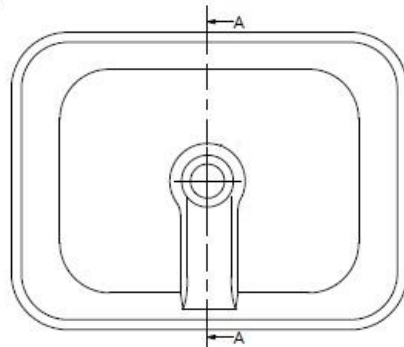
FRONT_VIEW



SECTION_VIEW A-A



BOTTOM_VIEW



P1119 cutting template

